

PRODUCT DATA SHEET

January, 2007

2" DUPLEX BAG FILTER SYSTEM

GENERAL INFORMATION

Two independent filter housings are skid-mounted and piped such that one filter unit is active while the other is out of service. Inlet and outlet connections are provided on each end of the skid. Use for filtering a wide range of industrial and commercial process fluids, groundwater discharge from construction sites, stormwater or urban runoff.

WEIGHTS AND MEASURES

» Capacity:	50 - 110 gpm per filter when clean (depends on filter media micron rating)
» Design Pressure:	150 psi
» Design Temp:	140°F max.*
» Height:	4'-9" (overall)
» Width :	4'-8"
» Length:	5'-8"
» Weight:	550 lbs. (approx.)

SKID DESIGN

» Outer Frame:	6 x 8.2 A36 carbon steel channel
» Inter. Frame:	2"x2 "x3/16" A36 carbon steel angle
» Filter Housing Pad:	15 x 33.9 A36 carbon steel channel
» Forklift Pockets:	Through front and rear framing channels
» Cover:	Expanded metal grating
» Lifting Eyes:	All four corners

*Practical limit for the PVC header piping. Unit could be used up to 225°F if carbon steel piping is used instead.

FILTER DESIGN

» Filter Housing	Rosedale model 8-30-2F-2-150-C-B-S-PB
» Top Cover:	Three eyenuts; hinged for easy access
» Piping:	2" schedule 80 PVC (inlet and outlet headers)
» Inlet & Outlet:	2" 150# ANSI flanges
» Cover Seal:	Buna N (Nitrile) o-ring
» Housing Material:	Carbon Steel
» Filter Basket:	30" deep, 6.7" diameter, 4.4 sq. ft. surface area, 1000 cu. in. volume, 9/64" dia holes (51% open)
» Filter Media:	Filter bags, size #2. Wide range of micron ratings is available, down to 1.0.
» Vent Valves:	1/4" ball valve on top cover
» Drain Valves:	1" ball valve on the bottom of each housing

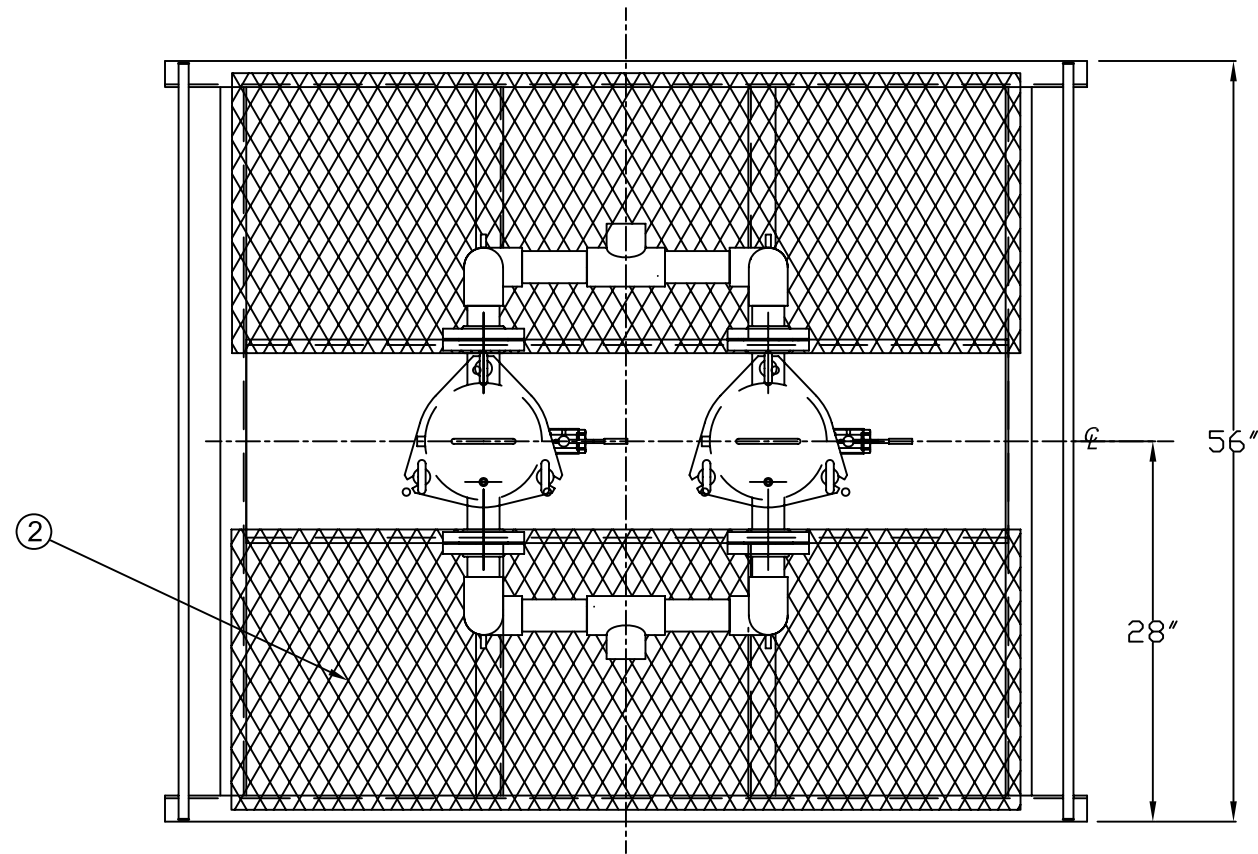
SURFACE DETAILS

» Exterior Coating:	High gloss polyurethane
---------------------	-------	-------------------------

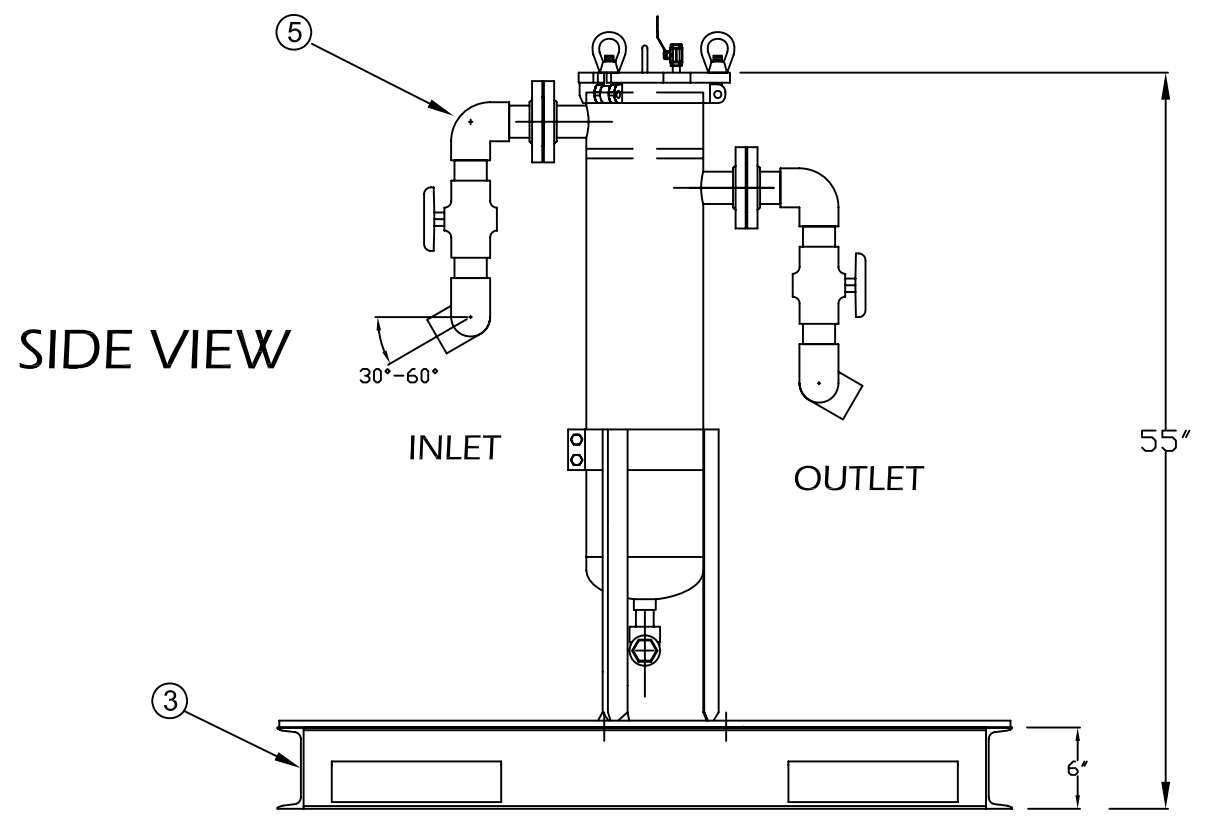
TESTS / CERTIFICATIONS

» Test Performed:	Scheduled QMS inspections
-------------------	-------	---------------------------

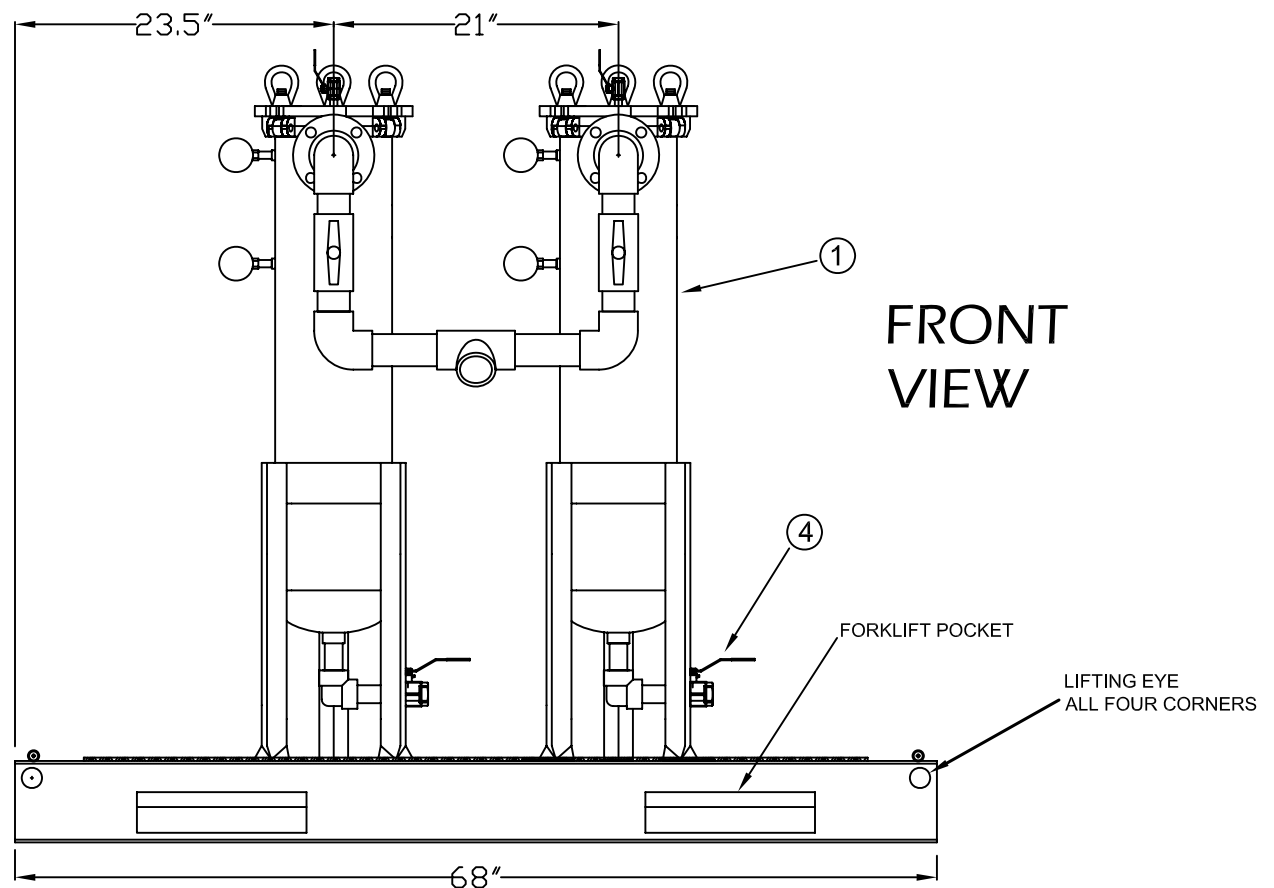
ITEM	DESCRIPTION
1	Rosedale Model 8302F2150CBS-PB Bag Filter, all welded construction, carbon steel wetted parts; Design Pressure: 150 psi; Design Temperature: 400°F; Filter Basket: 304 SS, 4.4 sq. ft. area, 9/64" dia. holes (51% open).
2	Expanded metal grating
3	Mounting skid with forklift pockets
4	1" bottom drain
5	2" PVC piping



TOP VIEW



SIDE VIEW



FRONT VIEW

<p>The information contained herein is proprietary to BakerCorp and shall not be reproduced or disclosed in whole or in part, or used for any design or manufacture except when user obtains direct written authorization from BakerCorp.</p>				<p>BAKERCORP 3020 OLD RANCH PARKWAY SEAL BEACH, CA 90740-2751</p>	
G		SCALE:	SIZE	ORIGINAL DWG. DATE	
F		To Scale	B	18AUG03	
E		DRAWN BY:	APPROVED BY:	CAT/CLASS	
D		P.J.B.	-	--	
C		TITLE			SHEET
B		2" BAG FILTER UNIT			1 OF 1
A	Changed drawing title	2/18/05	PJB	DRAWING NO.	REV.
REV.	DESCRIPTION	DATE	BY	S-9-M0010-1-	A