

PRODUCT DATA SHEET

January, 2007

4000 GALLON TRAILER POLY

GENERAL INFORMATION

These tanks feature a standard G.I. trailer hitch, and heavy-duty axles and tires designed to support the tank when it's fully loaded.

WEIGHTS AND MEASURES

» Capacity:	4000 gallons (nominal)
» Height:	10'-2" (grade to top of tank)
» Width :	8'-0" (wheel to wheel) 6'-4" (tank only)
» Length:	24'-3" (rear platform to tip of tongue) 18'-0" (tank only)
» Weight:	6,200 lbs.

STRUCTURAL DESIGN

» Tank Material:	High density cross-linked polyethylene
» Design Pressure:	0 psi – vented to atmosphere
» Design Vacuum:	0 psi – vented to atmosphere

RESTRICTIONS

» Sulfuric Acid Storage:	<ul style="list-style-type: none"> • 80% concentration maximum • Previously repaired tank cannot be used for H₂SO₄ – equipment number should have "W" at the end, meaning water service only. • 100°F maximum temperature • Top fill only • Top manway must be open during pneumatic filling of tank • Use flexible plumbing fixtures resistant to sulfuric acid
--------------------------	-------	--

FEATURES

» Top Opening:	1 - 22" outside diameter covered manway
» Valves:	One rear 3" Asahi PVC butterfly valve
» Ladder:	One each at front and rear of tank
» Wheels:	40" outside diameter

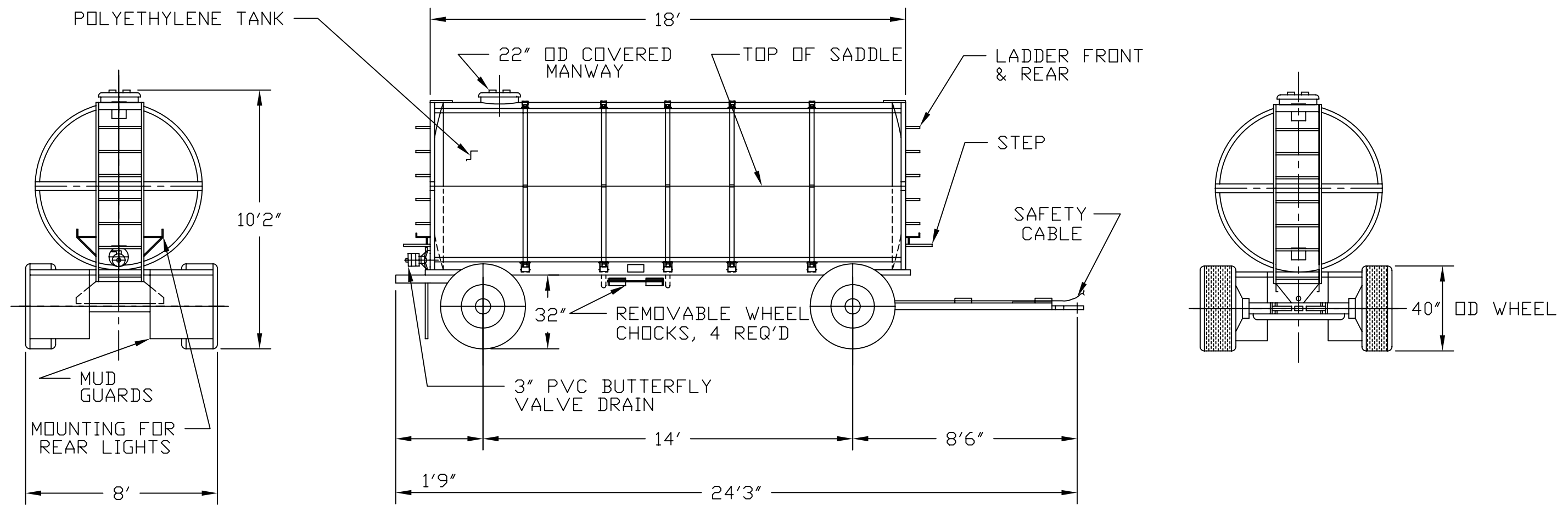
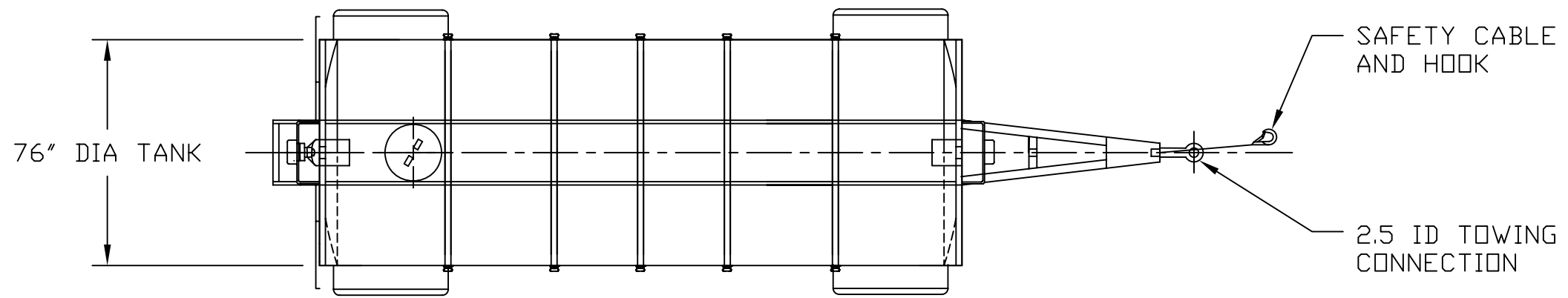
MISCELLANEOUS

» Temperature Limit:	150°F
----------------------	-------	-------



To the best of our knowledge the technical data contained herein are true and accurate at the date of issuance and are subject to change without prior notice. No guarantee of accuracy is given or implied because variations can and do exist. NO WARRANTY OR GUARANTEE OF ANY KIND IS MADE BY BAKERCORP, EITHER EXPRESSED OR IMPLIED.

3020 OLD RANCH PARKWAY • SUITE 220 • SEAL BEACH, CA • 562-430-6262



SPECIFICATIONS:

- 1) Tank Capacity: 4,000 gallons (95 BBL)
- 2) Tank Weight: 6,200 lbs. (empty)
- 3) Design pressure: 0 psig

NOTES:

1. This drawing is a baseline representation for this model of tank. Variations between this drawing and the actual equipment in the field can and do exist, primarily with appurtenance locations, sizes and quantities. Consult your BakerCorp representative if specific needs exist.
2. **THIS TANK MUST NOT BE TOWED BEHIND ANY VEHICLE OVER PUBLIC ROADS.** This tank must be transported on a trailer over public roads.
3. Poly tank sulfuric acid restrictions apply to this tank.

The information contained herein is proprietary to Baker Tanks and shall not be reproduced or disclosed in whole or in part, or used for any design or manufacture except when user obtains direct written authorization from Baker Tanks.

BAKERCORP™ 3020 OLD RANCH PARKWAY
SEAL BEACH, CA 90740-2751

G				SCALE: To Scale	SIZE B	ORIGINAL DWG. DATE 31OCT03
F				DRAWN BY: A. R.	APPROVED BY: -	CAT/CLASS --
E				TITLE 4000 GALLON TRAILER POLY		SHEET 1 OF 1
D				DRAWING NO. S-3-M0003-1-		REV. A
C						
B						
A	Corrected rear valve size	12/18/06	PJB			
REV.	DESCRIPTION	DATE	BY			