

PRODUCT DATA SHEET

1/31/2014

BP44LS-CY360T

BakerPrime 4x4 Low Pressure Solids Handling Unit (Open, Trailer)

GENERAL INFORMATION

The compressor/venturi priming system uses a compressor to blow compressed air through a jet into a tapered tube to create a vacuum on the suction.

PERFORMANCE DATA

» Flow (min/max):	- 280 gpm / 1300 gpm
» Minimum Shutoff Head:	- 78 feet (34 psi) @ 1600 rpm (1)
» Maximum Shutoff Head:	- 145 feet (63 psi) @ 2200 rpm (1)
» Minimum Speed:	- 1600 rpm
» Maximum Speed:	- 2200 rpm
» Maximum Suction Lift:	- 25 feet (2)
» Maximum Casing Press:	- 150 psi
» Maximum Temperature:	- 190°F
» Maximum Solids Size:	- 3" spherical diameter

PUMP SPECIFICATIONS

» Impeller:	- 9"
» Bearing Lubrication:	- Grease
» Vacuum System:	- 13 cfm Compressor/Venturi
» Mechanical Seal Lubrication:	- SAE No. 30 Oil (3)

PHYSICAL SPECIFICATIONS

» Suction Size:	- 4" flange
» Discharge Size:	- 4" flange
» Approximate Weight:	- 1687 lbs dry / 1900 lbs wet
» Overall Height:	- 61" (to top of lifting eye)
» Overall Width:	- 54" (outer most edges)
» Overall Length:	- 105" (nose to tail)

MATERIAL SPECIFICATIONS

» Pump Casing:	- Cast Iron
» Shaft Sleeve:	- Heat Treated 416 SS
» Wear Rings:	- Cast Iron
» Mechanical Seal Faces:	- Tungsten/Silicon-Carbide
» Pump Shaft:	- 1144 SAE Stressproof
» O-rings:	- Buna-N & Viton
» Impeller:	- Cast Iron
» Check Valve Body:	- Gray Iron No. 30
» Check Valve Flapper:	- Buna-N

ENGINE SPECIFICATIONS

» Engine Make/Model:	- Yanmar 3TNV88
» Total Displacement:	- 1.6 Liter
» Aspiration:	- Naturally Aspirated
» Max. Continuous BHP:	- 36.1 @ 3600 rpm (4)
» Crankcase Oil:	- SAE 10W40 (5)
» Coolant:	- 50/50 Water/Antifreeze
» Safety Shutdowns:	- High Water Temp & Low Oil Pressure
» Fuel Consumption:	- 1.12 gal/hr @ 1800 rpm (6)
» Run Time:	- 27 hours at 1800 rpm at 80% Engine Load
» Fuel Capacity/Type:	- 30 gal of No. 2 diesel
» Number of Cylinders:	- Three

Notes:

- (1) Based on 1.0 specific gravity
- (2) Depends on flow rate, pump speed, and elevation. See performance curve.
- (3) Should always be visible and clear in appearance thru sight glass.
- (4) WARNING – this is the rated speed for the ENGINE ONLY. The rated speed of the pump is less. See curve for max pump RPM.
- (5) Must be changed every 250 hours of runtime.
- (6) Run time fluctuates with speed and engine loads.

BakerCorp Reference # 404-0101

To the best of our knowledge the technical data contained herein are true and accurate at the date of issuance and are subject to change without prior notice. No guarantee of accuracy is given or implied because variations can and do exist.

NO WARRANTY OR GUARANTEE OF ANY KIND IS MADE BY BAKERCORP, EITHER EXPRESSED OR IMPLIED.

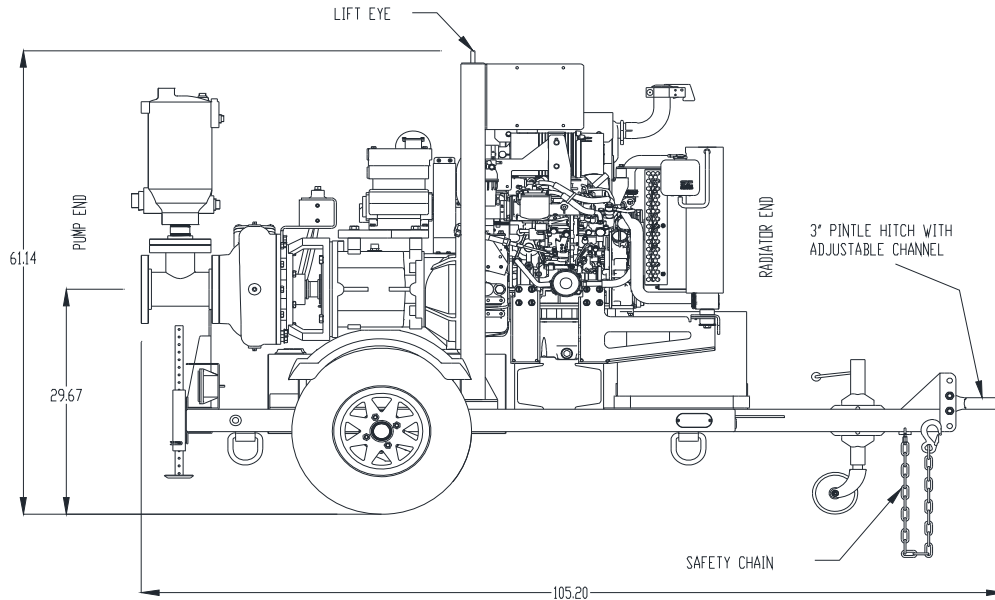
PRODUCT DATA SHEET

1/31/2014

BP44LS-CY360T

BakerPrime 4x4 Low Pressure Solids Handling Unit (Open, Trailer)

PHYSICAL SPECIFICATIONS



Performance Curve

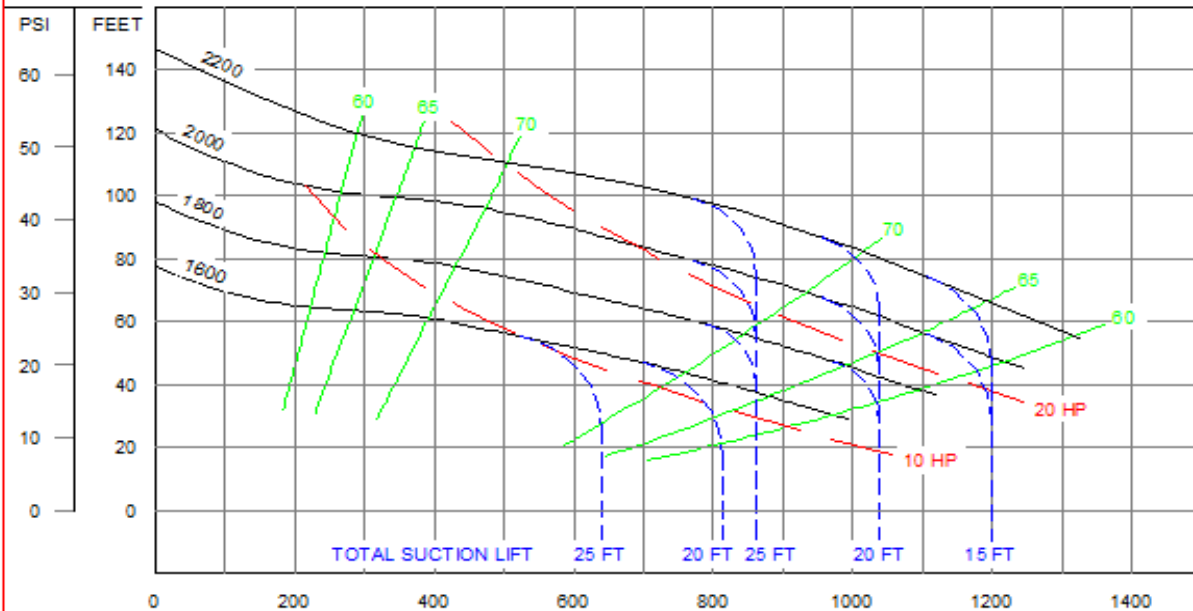
BP44LS-CY360T

SPEED	IMPELLER DIA.	STYLE	SOLIDS DIA.	Ns	SUCTION	DISCHARGE	No. VANES
VARIOUS	9"	ENCLOSED	3"	1900	4"	4"	2

Pump	
MAKE:	BAKERPRIME
MODEL:	BP44LS-CY360T
CURVE No:	BP44LS-2
SUCTION:	4 INCH
DISCHARGE:	4 INCH
MAX SOLID:	3 INCH
IMP. DIA:	9 INCH
MAX SPEED:	2,200 RPM
MIN SPEED:	1600 RPM

Engine	
MAKE:	YANMAR
MODEL:	3TNV88-BDSA
RATING:	35.9 HP / 3000 RPM

TOTAL HEAD



Performances shown are for cool water, frame mounted configuration with Cyclo Seal.® Other liquids or mounting configurations may require performance adjustments.

Performance curve does not include discharge check valve losses.

NOTE: CURVES BASED ON 1.0 SPECIFIC GRAVITY

