

# PRODUCT DATA SHEET

January, 2007

## 550 GALLON STAINLESS STEEL TOTE TANK (HURRI-KLEEN MODEL)

### GENERAL INFORMATION

This version of the 550-gallon tote tank is manufactured by Hurri-Kleen Corporation and is UN31A compliant. All wetted surfaces are made of 316 stainless steel. These tanks are stackable and suitable for storage of flammable materials.

### WEIGHTS AND MEASURES

» Capacity:	.....	550 gallons(nominal)
» Height:	.....	6'-1" (bottom of legs to top of tank) 6'-4½" (bottom of legs to top of lifting lugs)
» Width :	.....	4'-0" (nominal)
» Length:	.....	3'-6" (nominal)
» Weight:	.....	680 lbs. (empty)

### STRUCTURAL DESIGN

» Tank Material:	.....	10-gauge 316 stainless steel (.131" - .146" thick)
» Design Pressure:	.....	9.5 psi max.
» Design Work Press:	.....	3 psi
» Design Vent Pressure:	.....	5 psi
» Design Vacuum:	.....	0.5 psi

### FEATURES

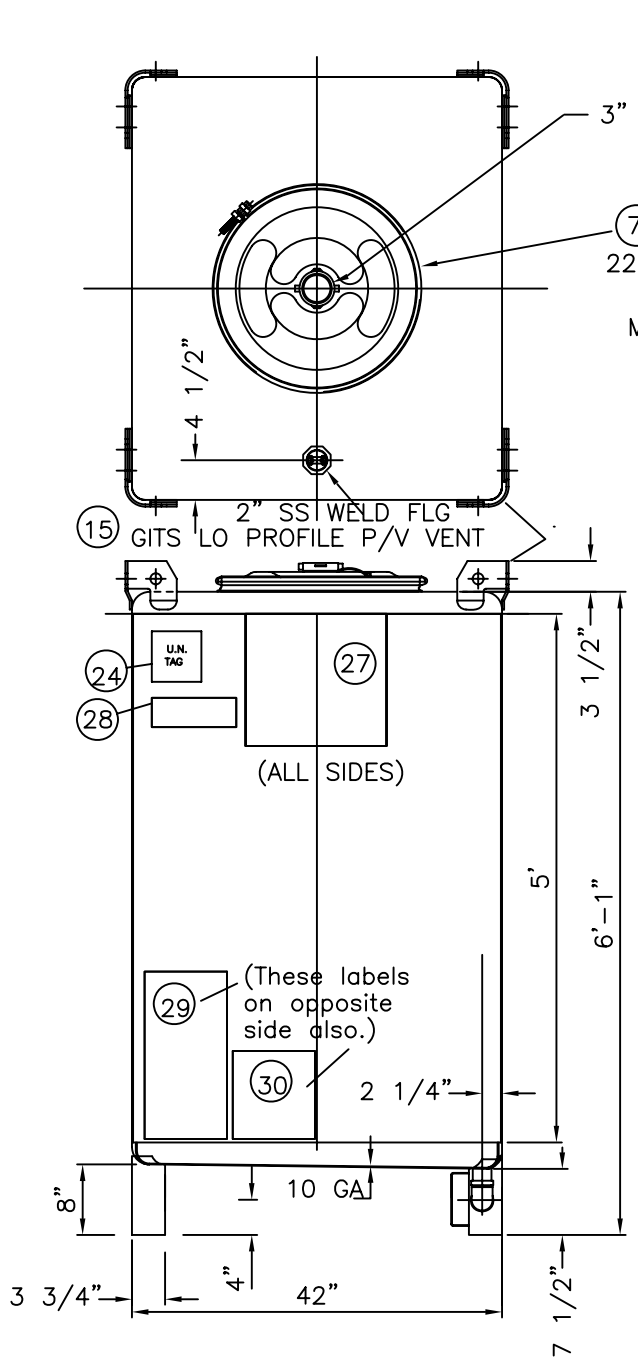
» P/V Valve:	.....	GITS – Part # 1655-200812 5 psi pressure, 0.5 psi vacuum
» Top Opening:	.....	22½" opening with EPDM gasket
» Top Bung:	.....	One - 2" inch bung (for P/V valve)
» Valve:	.....	One - 2" 316 stainless steel ball valve with teflon seat and seal
» Piping:	.....	2" 316 stainless steel
» Fusible Vent:	.....	One - 3" located in center of top opening

### SURFACE DETAILS

» DOT Class:	.....	UN31A compliant
» Interior Coating:	.....	None
» Safety Paint:	.....	None

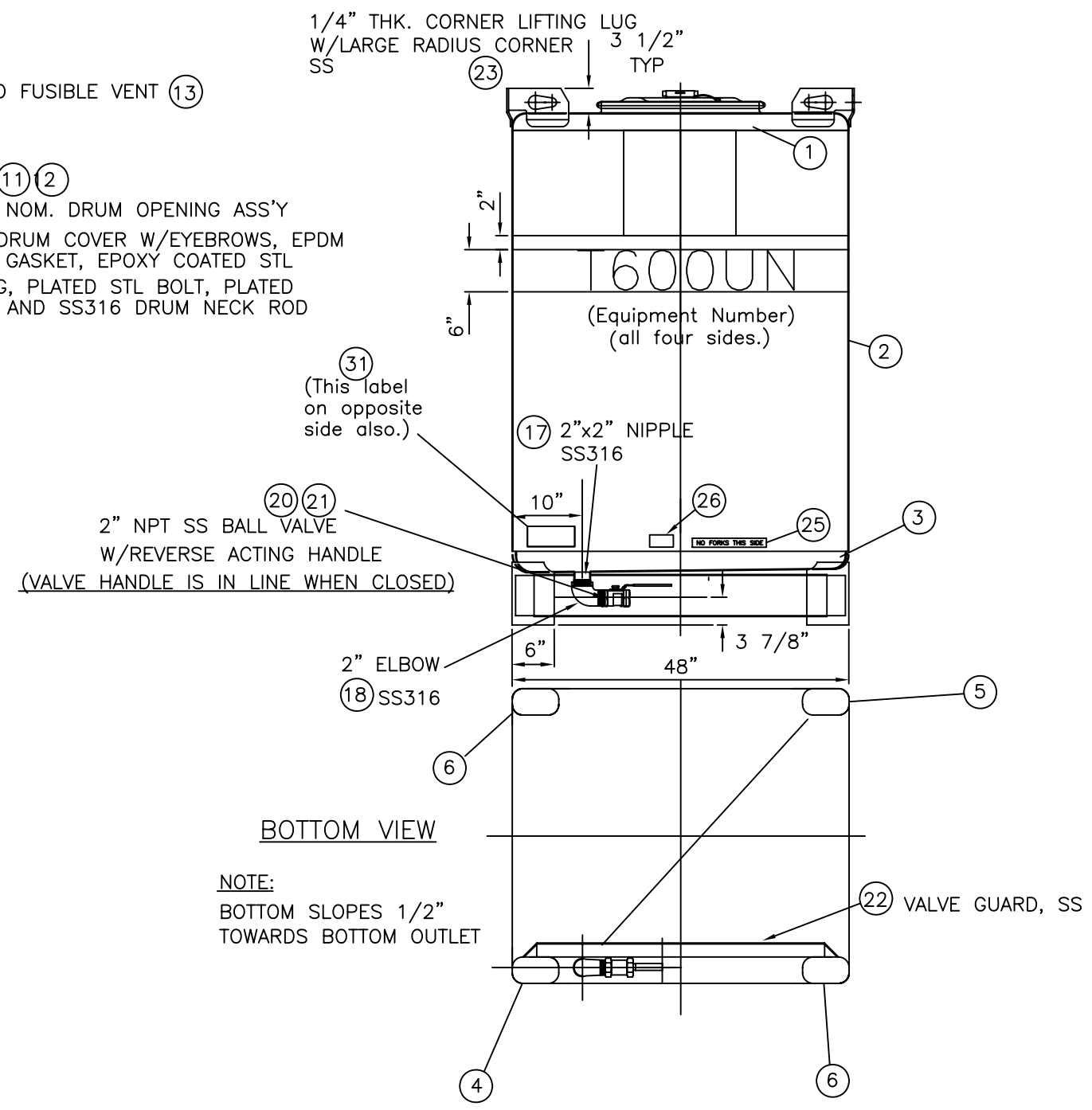
Note: Valve guard, lifting lugs and legs are made of 304 stainless steel.





3" NIPPLE AND FUSIBLE VENT (13)  
SS316

(7)(8)(9)(10)(11)(12)  
22 1/2" DIA. NOM. DRUM OPENING ASS'Y  
W/SS316 DRUM COVER W/EYEBROWS, EPDM  
MULTI-SEAL GASKET, EPOXY COATED STL  
CLAMP RING, PLATED STL BOLT, PLATED  
STL NUT, AND SS316 DRUM NECK ROD



1/4" THK. CORNER LIFTING LUG  
W/LARGE RADIUS CORNER  
SS

3 1/2" TYP

(31)  
(This label  
on opposite  
side also.)

(20)(21)  
2" NPT SS BALL VALVE  
W/REVERSE ACTING HANDLE  
(VALVE HANDLE IS IN LINE WHEN CLOSED)

**BOTTOM VIEW**

NOTE:  
BOTTOM SLOPES 1/2"  
TOWARDS BOTTOM OUTLET

ITEM NO.	QTY.	PART NO.	DESCRIPTION
1	1		TOP - 10 GA. SS316-2B FINISH
2	2 PC.		SIDES - 10 GA. SS316-2B FINISH
3	1		SLOPED BOTTOM - 10 GA. SS316-2B FINISH
4	1		SHORT LEG - 7 1/2" TALL - SS304
5	1		LEFT LEG - 8" TALL - SS304
6	2		RIGHT LEG - 8" TALL - SS304
7	1	730001-5	22 5/16" MANWAY LID W/3" NIPPLE, SS316
8	1	840005	EPDM MULTI-SEAL GASKET
9	1	840009	BOLTED CLAMP RING - EPOXY PAINTED
10	1	840010-1	PLATED STL CLAMP RING BOLT - 5/8"NC x 3 1/2" LG
11	1	840010-2	PLATED STL CLAMP RING NUT - 5/8"NC
12	1		22 5/16" NOM. DRUM NECK ROD - SS 316
13	1	840006-3	3" GITS FUSIBLE VENT W/BUNA GASKET, SS316
14	1		2" WELD FLANGE - 2SSRF
15	1	840006-7	GITS LO PROFILE P/V VENT, SS316
16	1		
17	1		2" NIPPLE X 2" LONG, THREADED ONE END SS316
18	1		2" STREET ELBOW, SS 316
19			
20	1		2" NPT BALL VALVE - SS, W/REV. HDLE
21	1		2" NPT SHIPPING PLUG - PLASTIC
22	1		VALVE GUARD - 10 GA. SS304
23	4		1/4" LIFTING LUG/LEG POSITIONER, SS304
24			U.N. TAG - S.S.
25			
26	1		"OPEN, CLOSED" VALVE DECAL
27	4	DCLB	BAKER TAG, "BAKER IOGO"
28	1	DCLW07	BAKER TAG, "DO NOT PRESSURIZE"
29	2	DCLD01	BAKER TAG, "CAUTION DO NOT ENTER"
30	2	DCLW01	BAKER TAG, "WARNING..."
31	2	DCLW06	BAKER TAG, "NO FORKS THIS SIDE"

NOTES:  
1. 1 1/2" LARGE RADIUS TOP AND BOTTOM W/HIGH CONTOUR  
FABRICATED LEGS.  
2. MATERIAL OF CONSTRUCTION IS STAINLESS STEEL AND NOTED.

WEIGHT: 680 lbs. (empty)  
WETTED PARTS: 316 S.S.  
P/V VALVE: Press 5 psi, Vac 0.5 psi

The information contained herein is proprietary to BakerCorp and shall not be reproduced or disclosed in whole or in part, or used for any design or manufacture except when user obtains direct written authorization from BakerCorp.

**BAKERCORP** 3020 OLD RANCH PARKWAY  
SEAL BEACH, CA 90740-2751

G		SCALE:	SIZE	ORIGINAL DWG. DATE
F		Do Not Scale	B	05SEP02
E		DRAWN BY:	APPROVED BY:	CAT/CLASS
D		P.J.B.	-	--
C		TITLE	SHEET	
B		HURRI-KLEEN 550 SS TOTE	1 OF 1	
A		DRAWING NO.	REV.	
REV.	DESCRIPTION	DATE	BY	S-8-M0001-1-0

NOTES:  
1. THIS DRAWING IS A BASELINE REPRESENTATION FOR THIS MODEL TANK. VARIATIONS MAY EXIST.  
CONSULT YOUR LOCAL BAKER REPRESENTATIVE IF SPECIFIC NEEDS EXIST.  
2. THIS TANK WAS PURCHASED AS UN31A COMPLIANT.