

PRODUCT DATA SHEET
January, 2007

550 GALLON STAINLESS STEEL
TOTE TANK (PLYMOUTH)

GENERAL INFORMATION

This version of the 550-gallon tote tank is manufactured by Plymouth IBC Services and is UN31A compliant. All wetted surfaces are made of 316 stainless steel. These tanks are stackable and suitable for storage of flammable materials.

WEIGHTS AND MEASURES

» Capacity:	550 gallons(nominal)
» Height:	5'-11" (bottom of legs to top of tank) 6'-2½" (bottom of legs to top of lifting lugs)
» Width :	3'-11-5/8" (nominal)
» Length:	3'-5-5/8" (nominal)
» Weight:	645 lbs. (empty)

STRUCTURAL DESIGN

» Tank Material:	10-gauge 316 stainless steel (.131" - .146" thick)
» Design Pressure:	9.5 psi max.
» Design Work Press:	3 psi
» Design Vent Pressure:	5 psi
» Design Vacuum:	0.5 psi

FEATURES

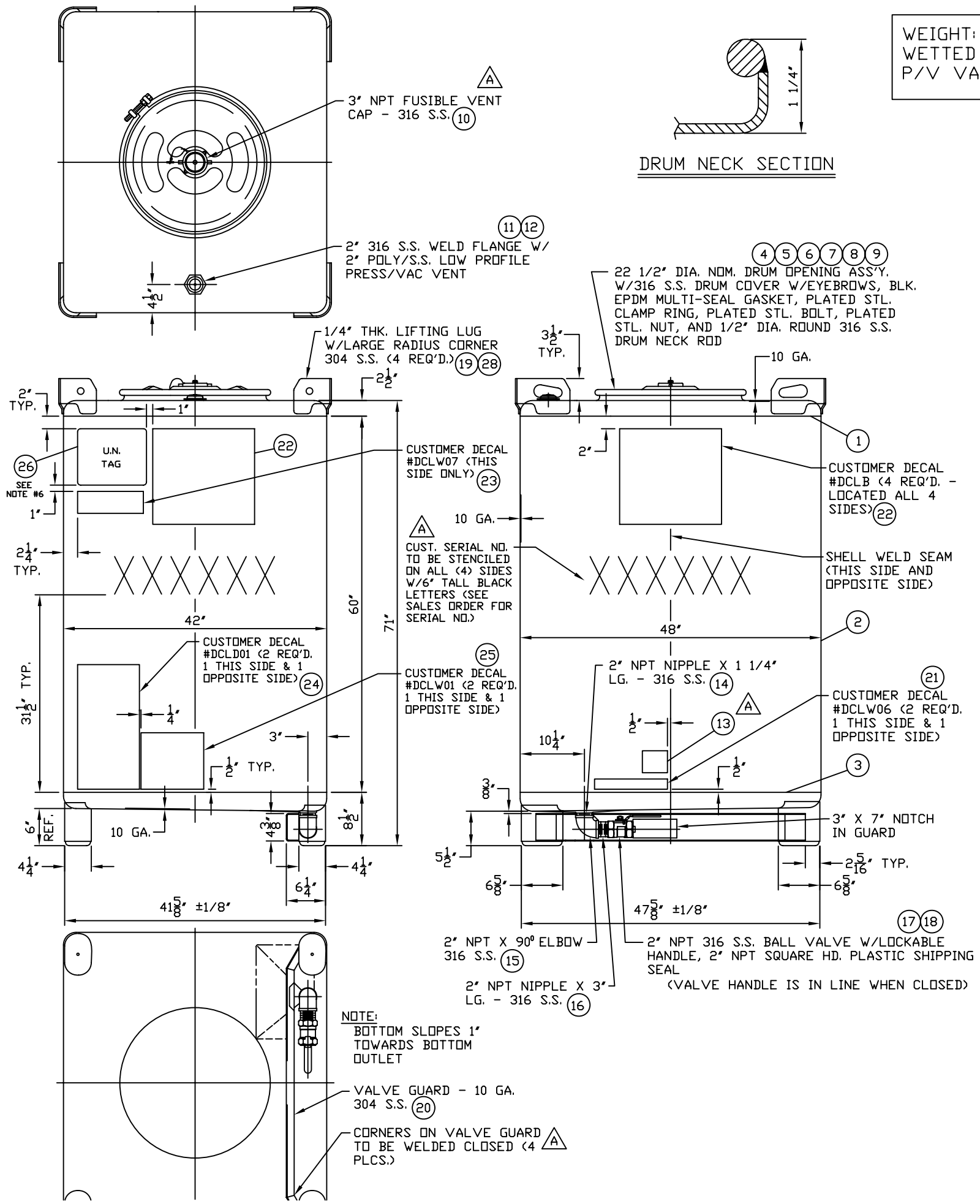
» P/V Valve:	GITS – Part # 1655-200812 5 psi pressure, 0.5 psi vacuum
» Top Opening:	22½" opening with EPDM gasket
» Top Bung:	One - 2" inch bung (for P/V valve)
» Valve:	One - 2" 316 stainless steel ball valve with teflon® seat and seal
» Piping:	2" 316 stainless steel
» Fusible Vent:	One - 3" located in center of top opening

SURFACE DETAILS

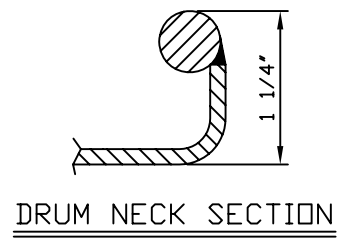
» DOT Class::	UN31A compliant
» Interior Coating:	None

Note: Valve guard, lifting lugs and legs are made of 304 stainless steel.





WEIGHT: 645 lbs. (empty)
 WETTED PARTS: 316 S.S.
 P/V VALVE: Press 5 psi, Vac 0.5 psi



ITEM NO.	QTY.	PART NO.	DESCRIPTION
1	1	76230120	TOP - 10 GA. 316 S.S.
2	2 PCS.	76230255	SHELL - 10 GA. 316 S.S.
3	1	76220218	BOTTOM HEAD ASSEMBLY - W/LEGS - 10 GA. 316 S.S.
4	1	76220013	DRUM COVER - 22 1/2' DIA. W/EYEBROWS, 3' NIPPLE, AND WIRE SEAL LUG - 316 S.S.
5	1	76240430	GASKET - 22 1/2' DIA. MULTI-SEAL - BLACK EPDM
6	1	76240001	BOLTED CLAMP RING - PLATED STL.
7	1	76240002	BOLT - 5/8' NC HEX HD. X 5' LG. - PLATED STL.
8	1	76240033	NUT - 5/8' NC HEX HD. - PLATED STL.
9	1	76230131	DRUM NECK ROD - 1/2' DIA. X 22 3/8' I.D. - 316 S.S.
10	1	76240037	FUSIBLE VENT CAP - 3' NPT W/LANYARD - 316 S.S.
11	1	76240048	2' WELD FLANGE - 316 S.S.
12	1	76240592	2' LOW PROFILE PRESS/VAC VENT - POLY/S.S.
13	1	76240718	DECAL - VALVE HANDLE CONFIGURATION
14	1	76240495	NIPPLE - 2' NPT X 1 1/4' LG. - 316 S.S. (T.D.E.)
15	1	76240097	ELBOW - 2' NPT X 90° (150#) - 316 S.S.
16	1	76240100	NIPPLE - 2' NPT X 3' LG. - 316 S.S. (T.B.E.)
17	1	76240014	BALL VALVE - 2' NPT W/LOCKABLE HANDLE - 316 S.S.
18	1	76240436	SHIPPING SEAL - 2' NPT SQUARE HD. - PLASTIC
19	2	76230103	LIFTING LUG - LEFT - 1/4' THK. FORMED - 304 S.S.
20	1	76230349	VALVE GUARD - 10 GA. FORMED - 304 S.S.
21	2	BY CUST.	DECAL #DCLW06
22	4	BY CUST.	DECAL #DCLB
23	1	BY CUST.	DECAL #DCLW07
24	2	BY CUST.	DECAL #DCLD01
25	2	BY CUST.	DECAL #DCLW01
26	1	76240729	U.N. TAG - 304 S.S.
27	1	76240427	'NOTICE TO CUSTOMER' ORANGE CARDBOARD TAG
28	2	76230922	LIFTING LUG - RIGHT - 1/4' THK. FORMED - 304 S.S.

- NOTES:
- REMOVE ALL BURRS AND SHARP EDGES.
 - 2' LARGE RADIUS 1 PIECE TOP & BOTTOM HEAD W/LARGE CONTOUR FABRICATED LEGS.
 - MATERIAL OF CONSTRUCTION IS 316 STAINLESS STEEL (2B/2 SIDES) IN PRODUCT CONTACT AREA W/A BALANCE OF 304 S.S. (2B/2 SIDES) AND NOTED.
 - INSIDE OF TANK IS TO BE WIPED CLEAN AND DRY AT FINAL ASS'Y.
 - 'NOTICE TO CUSTOMER' TAG IS TO BE WIRED TO CLAMP RING AT FINAL ASS'Y.
 - CUSTOMER SERIAL NO. TO BE ENGRAVED IN THE CUSTOMER SERIAL NO. BLOCK ON THE U.N. TAG. NUMBER IS TO MATCH SERIAL NO. STENCILED ON THE SIDES OF TANK. (SEE SALES ORDER FOR NUMBERS)
 - ATTENTION SHIPPER: IT IS THE SHIPPERS RESPONSIBILITY TO MAKE SURE THE FOLLOWING FITTINGS ARE PROPERLY TIGHTENED TO THE SPECS LISTED BELOW TO INSURE AN ADEQUATE SEAL.
 - A. BOLTED CLAMP RING - TORQUE TO 30 FT./LBS.
 - B. 2' BUNG FITTING - TORQUE TO 30 FT./LBS.
 - C. 3' FUSIBLE CAP - TORQUE TO 60 FT./LBS.

The information contained herein is proprietary to BakerCorp and shall not be reproduced or disclosed in whole or in part, or used for any design or manufacture except when user obtains direct written authorization from BakerCorp.

BAKERCORP 3020 OLD RANCH PARKWAY
 SEAL BEACH, CA 90740-2751

G		SCALE:	SIZE	ORIGINAL DWG. DATE
F		Do Not Scale	B	05SEP02
E		DRAWN BY:	APPROVED BY:	CAT/CLASS
D		P.J.B.	-	--
C		TITLE	SHEET	
B		PLYMOUTH IBC 550 SS TOTE	1 OF 1	
A		DRAWING NO.	REV.	
REV.	DESCRIPTION	DATE	BY	S-8-M0002-1-0