

## PRODUCT DATA SHEET

January, 2007

## SAFE TOP TANK

### GENERAL INFORMATION

This tank has a steel top deck with guardrails all around, cleanout hatches, and personnel access hatch. This tank is *not* vapor tight.

### WEIGHTS AND MEASURES

» Capacity:	Standard tank – 500 BBL. (21,000 gal.) Short tank – 475 BBL. (19,950 gal.)
» Height:	Standard – 12'-6" Short – 11'-9"
» Width :	Standard – 8'-0" Short – 8'-0"
» Length:	Standard – 35'-0" (37'-6" incl. stairway) Short – 35'-0" (37'-6" incl. stairway)
» Weight:	Standard – 20,500 lbs. (approx.) Short – 20,000 lbs. (approx.)

### STRUCTURAL DESIGN

» Floor:	¼" thick ASTM A36 carbon steel
» Sides/Ends:	¼" thick ASTM A36 carbon steel
» Roof Deck:	¼" thick ASTM A36 carbon steel
» Wall Frame:	Structural steel channel/angle on interior
» Floor Frame:	6" carbon steel I-beam on exterior side
» Roof Frame:	4" steel channel
» Internal Cross Bracing:	15 – 3"x3"x¼" angle iron

### FEATURES

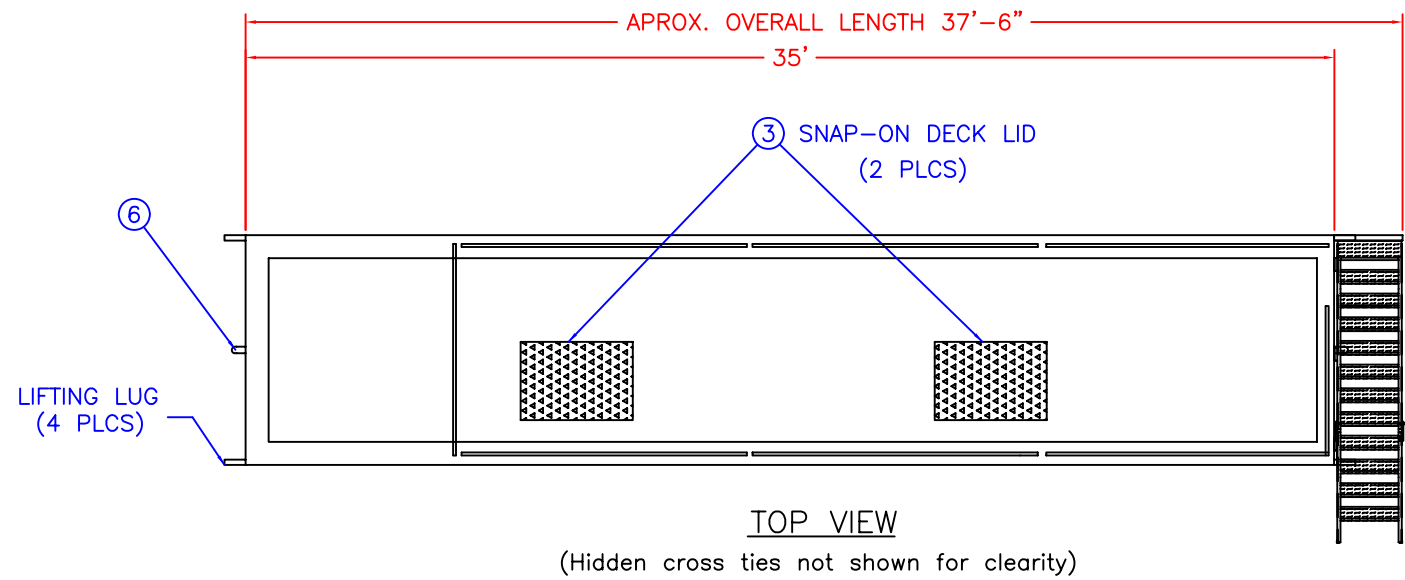
» Valves:	1-4" butterfly valve tractor end – driver side; 1-4" butterfly valve dolly end – passenger side
» Relief Valve:	None
» Front Drain:	4" diameter capped nipple
» Bottom Sump:	One on each end of tank: Type 1: flat bottom, 12" diameter, 3" deep Type 2: domed, 14" diameter, 4" deep
» Interior Access:	(2)- removable cleanout doors and (1) - personnel access hatch
» Internal Ladder:	(1) at personnel access hatch, middle of top deck, driver's side
» Side Manways:	None
» Exterior Stairway:	Mounted on rear end, access from passenger side
» Guardrails:	Fold-down 1¼" round tubing around top deck
» Level Gauge:	None
» Rear Wheels:	Removable dolly (not a fixed axle)

### SURFACE DETAILS

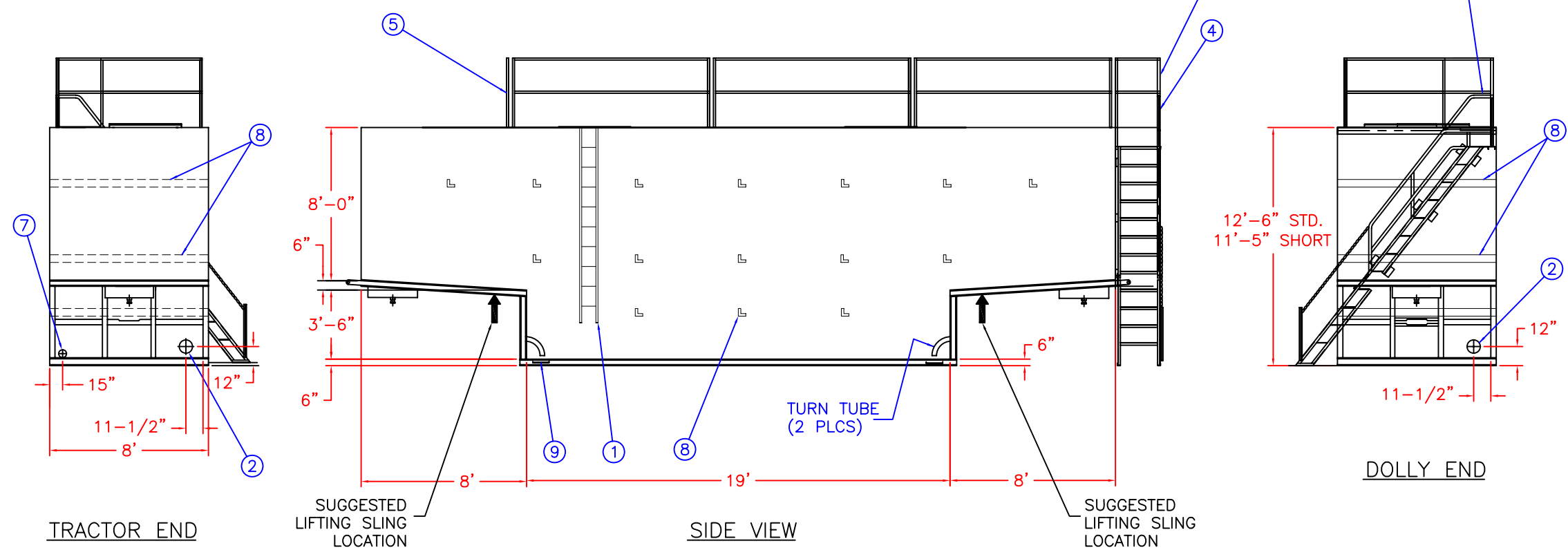
» Exterior Coating:	High Gloss Polyurethane
» Interior Coating:	None
» Safety Paint:	Safety yellow on all moveable safety equipment, handrails, stairs etc.

### TESTS/CERTIFICATIONS

» Test Performed:	Major repairs – hydrotest Scheduled- Level I, II and III inspections
-------------------	---



ITEM	QTY	DESCRIPTION
1	1	INTERNAL LADDER
2	2	4" BUTTERFLY VALVE
3	2	SNAP-ON DECK LID
4	1	OSHA COMPLIANT STAIRWAY & RAILS
5	1	OSHA COMPLIANT GUARD RAIL
6	2	PULL EYES FOR LOADING TANK
7	1	4" NIPPLE WITH CAP
8	17	INTERNAL CROSS TIES
9	2	12" SUMP



**SPECIFICATIONS:**

- 1) Tank Capacity  
Standard: 21,000 gallons (500 BBL)  
Short: 19,950 gallons (475 BBL)
- 2) Tank Weight  
Standard: 21,000 - 22,000 lbs. (empty)  
Short: 20,000 - 21,000 lbs (empty)
- 3) Material of Construction: A36 Carbon Steel

**NOTES:**

1. This drawing is a baseline representation for this model of tank. Variations between this drawing and the actual equipment in the field can and do exist, primarily with appurtenance locations, sizes and quantities. Consult your local BakerCorp representative if specific needs exist.
2. THESE TANKS ARE NOT DESIGNED FOR TRANSPORTING LIQUIDS. Tanks should be moved only when empty.

The information contained herein is proprietary to BakerCorp and shall not be reproduced or disclosed in whole or in part, or used for any design or manufacture except when user obtains direct written authorization from BakerCorp.				<b>BAKERCORP™</b> 3020 OLD RANCH PARKWAY SEAL BEACH, CA 90740-2751		
G				SCALE: None	SIZE <b>B</b>	ORIGINAL DWG. DATE 06MAR02
F				DRAWN BY: A. R.	APPROVED BY: -	CAT/CLASS --
E				TITLE SAFE TOP TANK		SHEET 1 OF 1
D				DRAWING NO. <b>S-1-M0004-1-</b>		REV. <b>B</b>
C						
B	ADDED HIDDEN LINES	7/12/05	Z.E.R			
A	REDRAWN FROM SK-013.DWG	06MAR02	A.R.			
REV.	DESCRIPTION	DATE	BY			