

PRODUCT DATA SHEET

January, 2007

MODERN MFG. VACUUM DEWATERING BOX

GENERAL INFORMATION

These vacuum-rated containers can be used to dewater solid sludges. They use a disposable filter cloth to enhance dewatering efficiency. The box can be cleaned without removing any components or filter panels because of the space between the screen supports and box walls.

WEIGHTS AND MEASURES

» Capacity:	25 cubic yards
» Height:	6'-4" (grade to top of domed lid)
» Width :	8'-0" (between extremes)
» Length:	21'-1 1/4" (between extremes)
» Weight:	14,000 lbs. (empty)
» Dewatering Surface Area:	152 ft ² (approx.)

STRUCTURAL DESIGN

» Shell, Bottom Half:	1/4" steel plate
» Shell, Top Half:	1/4" steel plate
» Main Rails:	2"x6"x1/4" rectangular tubing
» Door Sheet:	1/4" steel plate

FEATURES

» Wheels:	Front wheels 2" higher than rear wheels
» Nose Rollers:	2 - 4" diameter x 6" long
» Top Manway:	1 - 21" domed lid
» Manway Seals	Neoprene

FEATURES - cont

» Hinges:	1" diameter pins on right side of door
» Locking Mechanism:	Vertical latch with four independent ratchet binder sealing system
» Ladder:	One located at center on driver side
» Ports:	Door: 1-8" flange, 1-4" flanged drain, 2-3" nipples capped & chained Front: 1-8" flange, 1-4" flange, 2-6" nipples (washouts) capped & chained
» Deflectors:	None
» Door Gasket:	Extruded neoprene
» Filter Basket:	Perforated plate floor with expanded metal sides and front door panels (coated w/ Phenoline 309)
» Filter Media:	150-micron filter cloth (consumable), non-woven polypropylene, or a 30x40 mesh woven polypropylene custom sewn to fit contour of box.

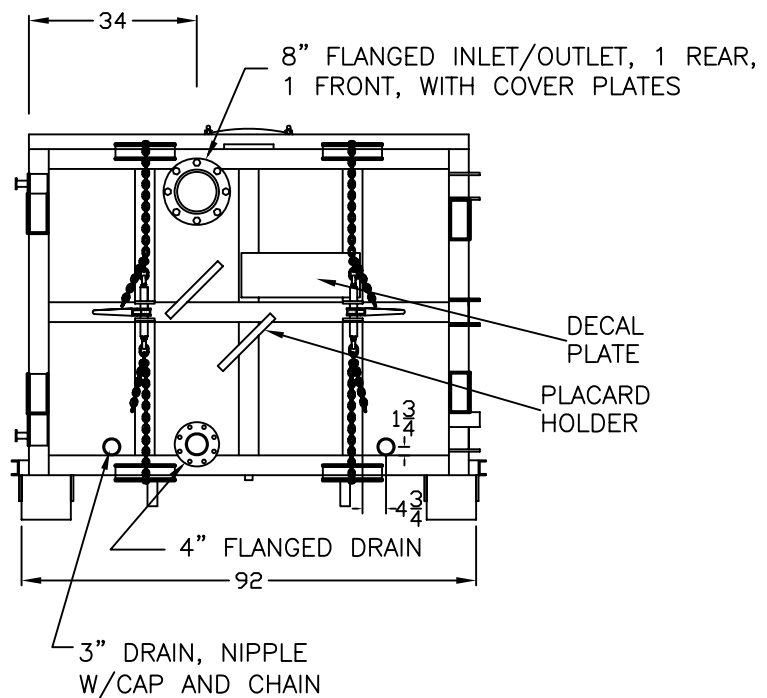
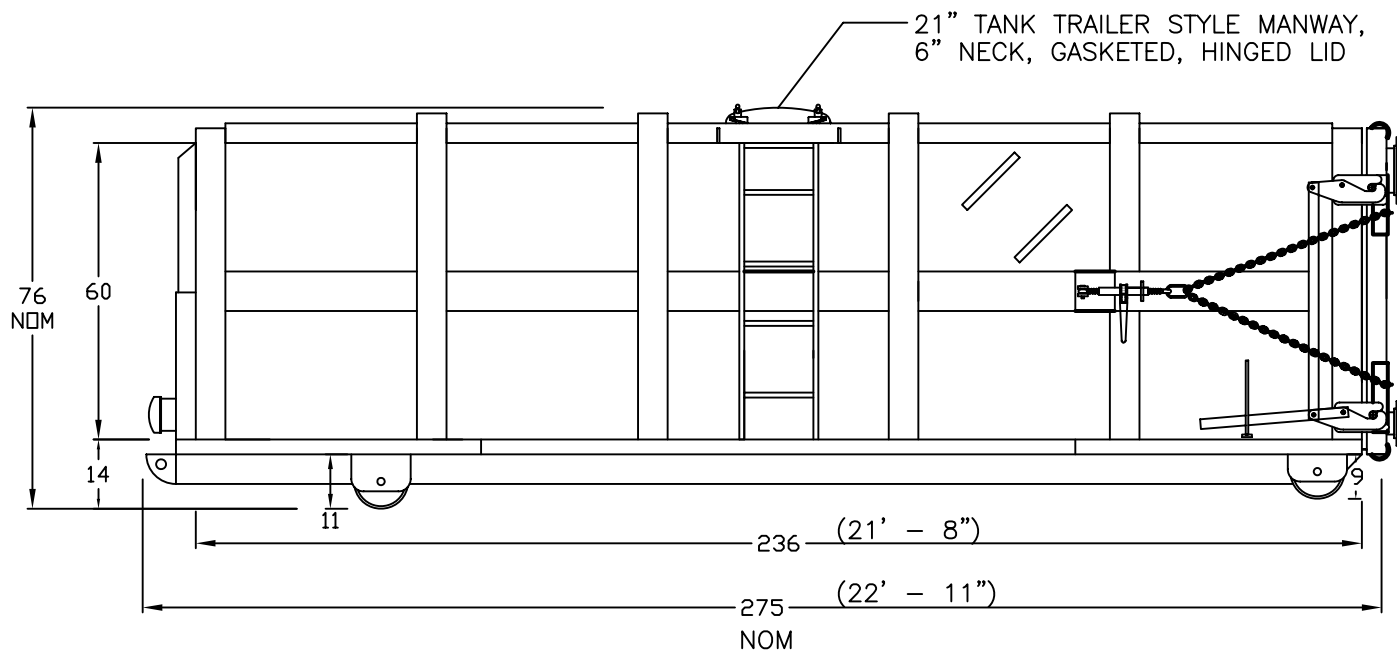
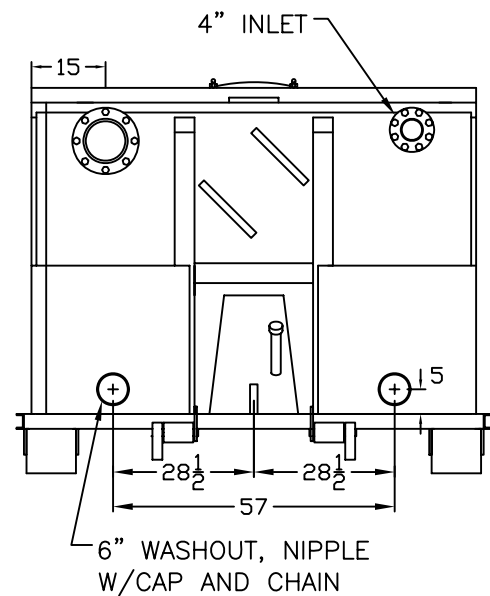
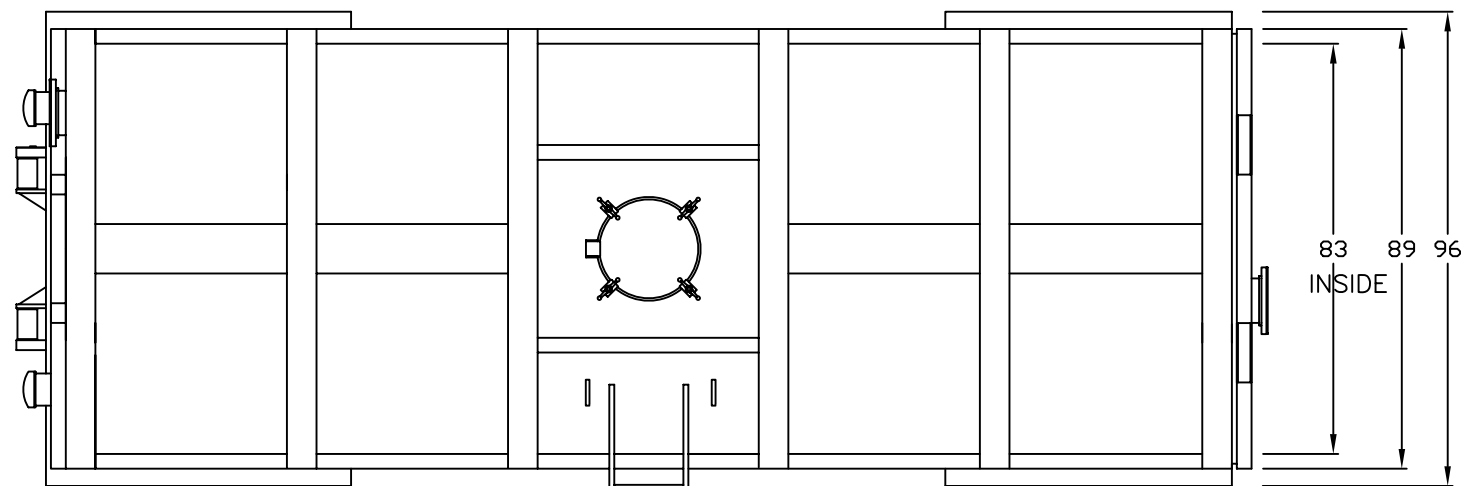
SURFACE DETAILS

» Exterior Coating:	High gloss polyurethane
» Interior Lining:	None
» Placard Mounts:	Four - one on each side and each end

TESTS/CERTIFICATIONS

» Tests Performed:	Scheduled OMS inspections
--------------------	-------	---------------------------


ITEM	QTY	DESCRIPTION
-	-	-
-	-	-



HEAVY DUTY DRAGON
VACUUM LOAD CONTAINER

VACUUM CONTAINER WITH FILTER BASKET INSTALLED (NOT SHOWN)
FRONT WHEELS 2" TALLER THAN REAR, FRONT WASHOUT PORTS,
REAR DRAINS, INSIDE LINER HOOKS FOR FILTER.

- NOTES:**
1. This drawing is a baseline representation for this model of tank. Variations between this drawing and the actual equipment in the field can and do exist, primarily with appurtenance locations, sizes and quantities. Consult your local BakerCorp representative if specific needs exist.

The information contained herein is proprietary to BakerCorp and shall not be reproduced or disclosed in whole or in part, or used for any design or manufacture except when user obtains direct written authorization from BakerCorp.				 3020 OLD RANCH PARKWAY SEAL BEACH, CA 90740-2751	
G		SCALE:	SIZE	ORIGINAL DWG. DATE	
F		To Scale	B	20MAY03	
E		DRAWN BY:	APPROVED BY:	CAT/CLASS	
D		P.J.B.	-	--	
C		TITLE	SHEET		
B		MODERN VACUUM DEWATERING BOX	1 OF 2		
A		DRAWING NO.	REV.		
REV.	DESCRIPTION	DATE	BY	S-5-M0009-1-0	