

**PRODUCT DATA SHEET**

July, 2008

**CONSOLIDATED  
ROLLOFF BOX**

**GENERAL INFORMATION**

This equipment is designed to be watertight but is for dry storage only; no free liquids.

**WEIGHTS AND MEASURES**

» Capacity:	.....	18 yd <sup>3</sup>
» Height:	.....	5'-0¼" (grade to box rim) 5'-9" (grade to top of cover)
» Width:	.....	8'-0" (between sidewall supports) 8'-6" (between lid extremes)
» Length:	.....	17'-3" (overall)
» Weight:	.....	4,320 lbs.

**STRUCTURAL DESIGN**

» Floor:	.....	steel plate
» Walls:	.....	10 gauge steel plate
» Door Sheet:	.....	12 gauge steel plate
» Door Frame:	.....	3"x3"x7 ga. structural tubing
» Side Posts:	.....	3"x3"x7 gauge steel tubing
» Bottom Rails	.....	6"x2"x1¼" structural steel channel
» Floor Stiffeners:	.....	3x4.1 structural steel channel
» Bulkhead:	.....	10 gauge steel plate
» Lid Material:	.....	Plastic

**FEATURES**

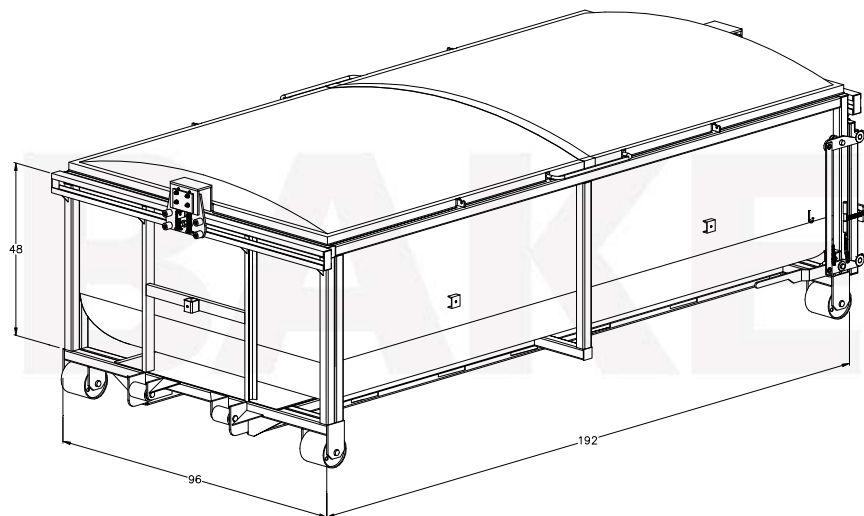
» Lid Style:	.....	Side flip
» Hooks:	.....	½" liner hooks on all sides below top rail
» Wheels:	.....	8" wide x 8" diameter; steel
» Hook-up Style:	.....	Double end
» Nose Rollers:	.....	4" diameter x 6" wide
» Hinges:	.....	Three on right side of rear door
» Door Latch:	.....	Lockable mechanical latch on left side
» Ladder:	.....	Driver side inspection ladder on front of container
» Door Gasket:	.....	Neoprene

**SURFACE DETAILS**

» Exterior Coating:	.....	High gloss polyurethane with hardener
» Interior Lining:	.....	Gray primer; Polyliners are available for additional protection
» Placard Mounts:	.....	Four 18" x 18", one on each side and each end

**TESTS/CERTIFICATIONS**

» Tests Performed:	.....	Water test performed by manufacturer. Scheduled QMS inspections by BakerCorp
--------------------	-------	--



To the best of our knowledge the technical data contained herein are true and accurate at the date of issuance and are subject to change without prior notice. No guarantee of accuracy is given or implied because variations can and do exist. NO WARRANTY OR GUARANTEE OF ANY KIND IS MADE BY BAKERCORP, EITHER EXPRESSED OR IMPLIED.

3020 Old Ranch Parkway • Suite 220 • Seal Beach, CA • 562-430-6262