

### PRODUCT DATA SHEET

January, 2007

### OPEN TOP TANK

#### GENERAL INFORMATION

This tank is designed to provide easy viewing of the contents. A catwalk with guardrails is provided over the center of the tank. These tanks can be converted to closed top by adding a snap-on deck lid. This tank has a smaller footprint than other style tanks of the same volume.

#### WEIGHTS AND MEASURES

» Capacity:	Standard tank – 500 BBL. (21,000 gal.) Short tank – 475 BBL. (19,950 gal.)
» Height:	Standard – 12'-5" Short – 11'-2"
» Width :	Standard – 8'-0" Short – 8'-0"
» Length:	Standard – 35'-0" Short – 35'-0"
» Weight:	Standard – 18,000 lbs. (approx.) Short – 17,750 lbs. (approx.) Standard w/coils – 18,800 lbs. (approx.) Short w/ coils – 18,550 lbs. (approx.)

#### STRUCTURAL DESIGN

» Floor:	¼" thick ASTM A36 carbon steel
» Sides/Ends:	¼" thick ASTM A36 carbon steel
» Wall Frame:	Structural steel channel/angle on interior side
» Floor Frame:	6" carbon steel I-beam on exterior side
» Internal Cross Bracing:	17 – 3"x3"x¼" angle iron

#### FEATURES

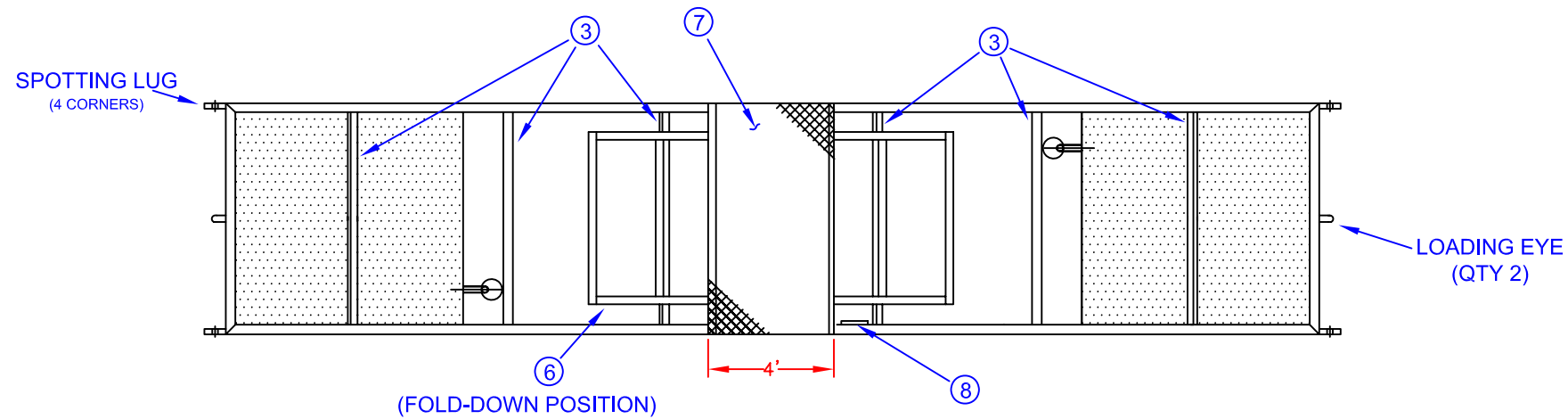
» Valves:	1-4" butterfly valve tractor end – driver side; 1-4" butterfly valve dolly end – passenger side (some tanks have 6")
» Exterior Stairway:	1- external removable ladder that is mounted on the side of the tank at the catwalk
» Manways:	None
» Guardrails:	Along catwalk only
» Internal Ladder:	One – fixed to side wall near catwalk
» Bottom Sump:	One on each end of tank, either flat bottomed, 12" diameter, 3" deep, or domed, 14" diameter 4" deep
» Front Inlet:	4" diameter capped nipple
» Front Drain:	4" diameter capped nipple (some tanks have 6"; some may also be total drain with valve)
» Level Gauge:	None
» Rear Wheels:	Removable dolly (not a fixed axle)

#### SURFACE DETAILS

» Exterior Coating:	High Gloss Polyurethane
» Interior Coating:	None

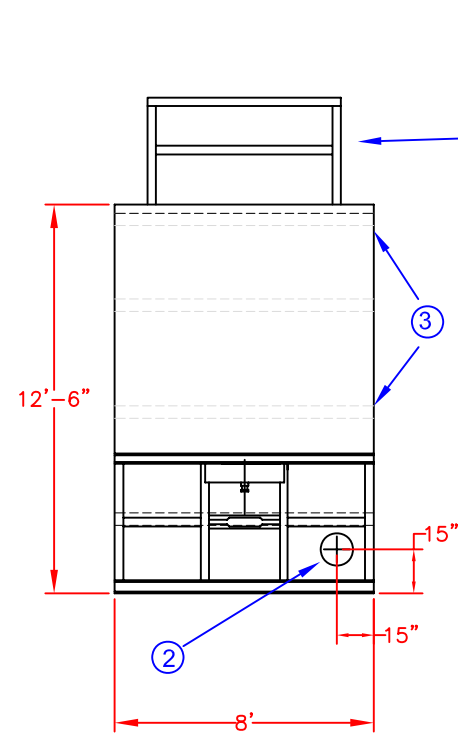
#### TESTS/CERTIFICATIONS

» Test Performed:	Major repairs – hydrotest Scheduled- Level I, II and III inspections
-------------------	---

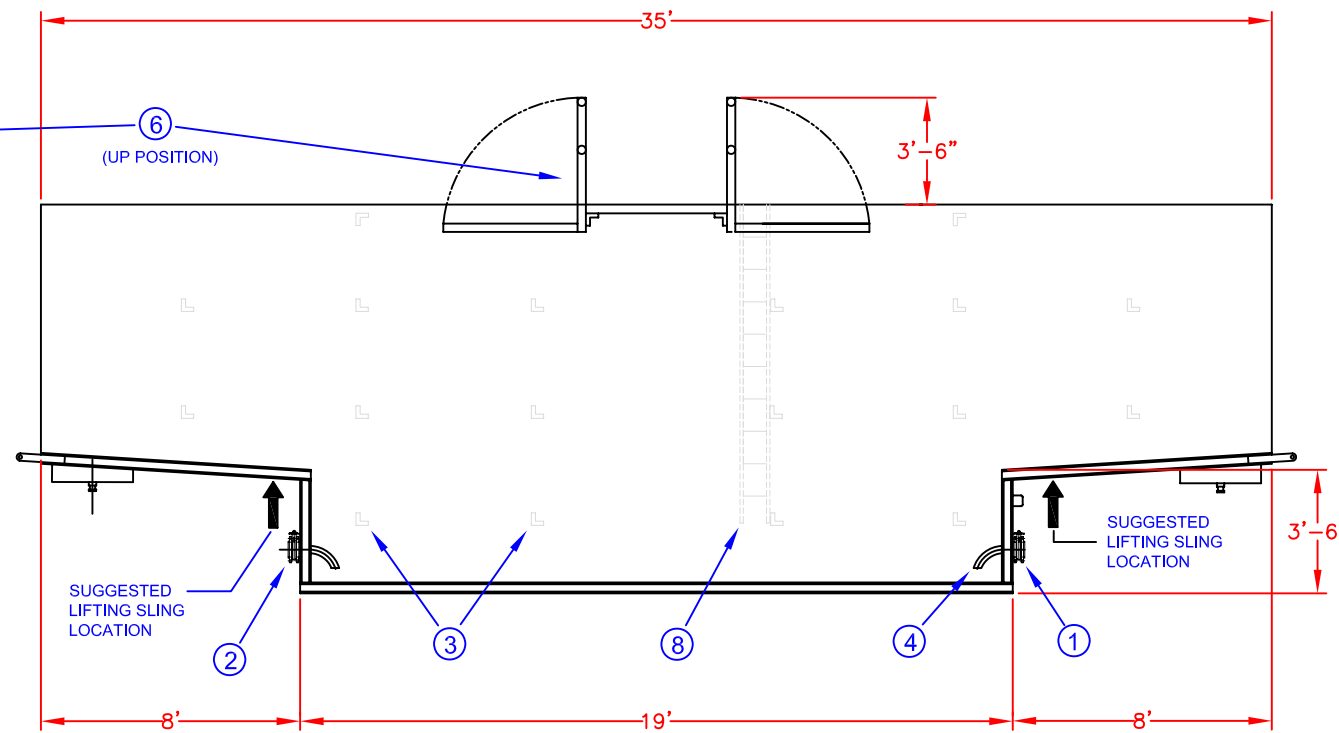


TOP VIEW

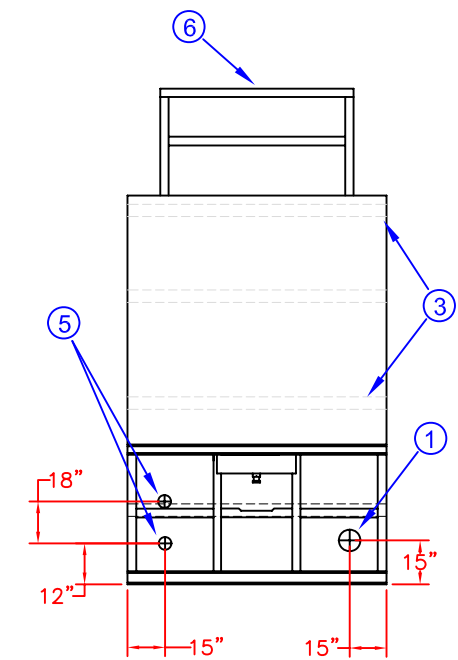
ITEM	QTY	DESCRIPTION
1	1	4" Butterfly Valve (see note 1)
2	1	6" Butterfly Valve (see note 1)
3	20	Internal Crossies
4	2	Sump Draw
5	2	4" Diameter Capped Nipple (see note 1)
6	2	Catwalk Handrail (foldable)
7	1	Expanded Metal Catwalk
8	1	Internal Ladder



DOLLY END



SIDE VIEW



TRACTOR END

**SPECIFICATIONS:**

- 1) Tank Capacity: 21,000 gallons (500 BBL)
- 2) Tank Weight: 18,000 - 19,000 lbs. (empty)
- 3) Material of Construction: A36 Carbon Steel

**NOTES:**

- 1. This drawing is a baseline representation for this model of tank. Variations between this drawing and the actual equipment in the field can and do exist, primarily with appurtenance locations, sizes and quantities. Consult your local BakerCorp representative if specific needs exist.
- 2. THESE TANKS ARE NOT DESIGNED FOR TRANSPORTING LIQUIDS. Tanks should be moved only when empty.
- 3) A removable ladder (not shown) is required to access the catwalk.

The information contained herein is proprietary to BakerCorp and shall not be reproduced or disclosed in whole or in part, or used for any design or manufacture except when user obtains direct written authorization from BakerCorp.

**BAKERCORP** 3020 OLD RANCH PARKWAY  
SEAL BEACH, CA 90740-2751

G				SCALE:	None	SIZE	B	ORIGINAL DWG. DATE	27FEB02
F				DRAWN BY:	A. R.	APPROVED BY:	-	CAT/CLASS	100-0XXX
E				TITLE	OPEN TOP TANK			SHEET	1 OF 1
D				REV.	DESCRIPTION	DATE	BY	DRAWING NO.	S-1-M0001-1-
C								REV.	B
B	Added Hidden lines	7/12/05	Z.E.R						
A	Misc Dim Revs	2/2/05	P.J.B.						