

PRODUCT DATA SHEET

January, 2007

CLOSED TOP TANK

GENERAL INFORMATION

A lid is placed on an open top tank when the contents need to be protected from the elements. The top includes two hinged covers for access to the interior of the tank without removing the entire lid. This tank is not vapor tight.

WEIGHTS AND MEASURES

» Capacity:	Standard tank – 500 BBL. (21,000 gal.) Short tank – 475 BBL. (19,950 gal.)
» Height:	Standard – 12'-6" Short – 11'-10"
» Width :	Standard – 8'-0" Short – 8'-0"
» Length:	Standard – 35'-0" (36'-0" incl. rear ladder) Short – 35'-0" (36'-0" incl. rear ladder)
» Weight:	Standard – 20,000 lbs. (approx.) Short – 19,500 lbs. (approx.)

STRUCTURAL DESIGN

» Floor:	¼" thick ASTM A36 carbon steel
» Sides/Ends:	¼" thick ASTM A36 carbon steel
» Roof Deck:	¼" thick ASTM A36 carbon steel
» Wall Frame:	Structural steel channel/angle on interior side
» Floor Frame:	6" carbon steel I-beam on exterior side
» Roof Frame:	4" steel channel
» Internal Cross Bracing:	17 – 3"x3"x¼" angle iron

FEATURES

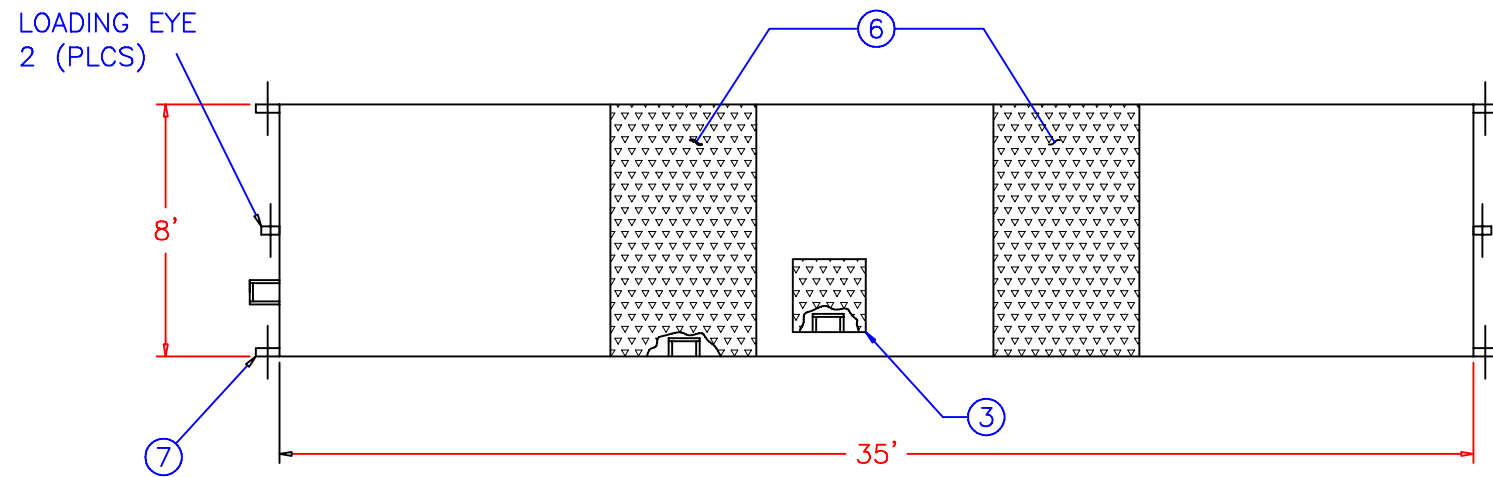
» Valves:	1-4" butterfly valve tractor end – driver side; 1-4" butterfly valve dolly end – passenger side
» Relief Valve:	None
» Front Drain:	4" diameter capped nipple
» Bottom Sump:	One on each end of tank, either flat bottomed, 12" diameter, 3" deep, or domed, 14" diameter 4" deep
» Interior Access:	2- removable cleanout doors and 1- manway with hinged door
» Internal Ladder:	One ladder at manway opening and one at the - cleanout door
» Manways:	None
» Exterior Stairway:	Ladder on rear end, passenger side
» Guardrails:	None
» Level Gauge:	None
» Rear Wheels:	Removable dolly (not a fixed axle)

SURFACE DETAILS

» Exterior Coating:	High Gloss Polyurethane
» Interior Coating:	None

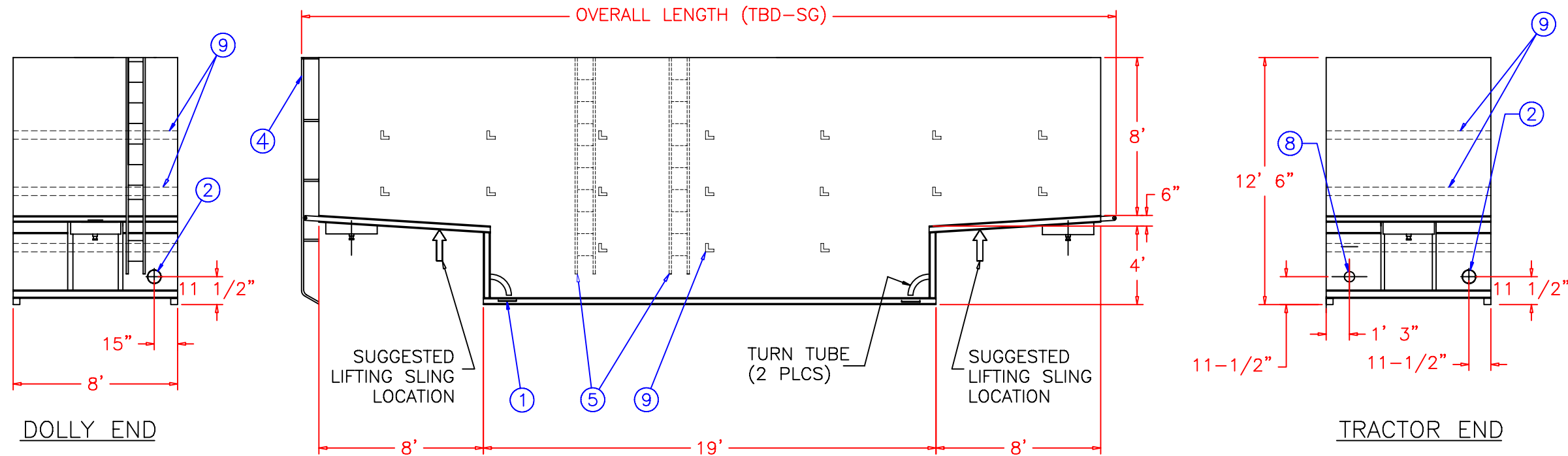
TESTS/CERTIFICATIONS

» Test Performed:	Major repairs – hydrotest Scheduled- Level I, II and III inspections
-------------------	---



TOP VIEW
(Hidden Cross Ties not shown for Clarity)

ITEM	QTY	DESCRIPTION
1	2	12" Sump
2	2	4" Butterfly Valve
3	1	24" X 24" (Hinged) Access Hatch
4	1	External Ladder
5	2	Internal Ladder
6	2	Removable (Hinged) Cleanout Door
7	2	Pull Eyes for Loading Tank
8	1	4" Nipple with Cap
9	17	Internal Cross Ties



SIDE VIEW

SPECIFICATIONS:

- 1) Tank Capacity: 21,000 gallons (500 BBL)
- 2) Tank Weight: 21,000 - 22,000 lbs. (empty)
- 3) Material of Construction: A36 Carbon Steel

NOTES:

1. This drawing is a baseline representation for this model of tank. Variations between this drawing and the actual equipment in the field can and do exist, primarily with appurtenance locations, sizes and quantities. Consult your local BakerCorp representative if specific needs exist.
2. This tank is to be transported while *empty only*. It is not designed to transport loads.

The information contained herein is proprietary to BakerCorp and shall not be reproduced or disclosed in whole or in part, or used for any design or manufacture except when user obtains direct written authorization from BakerCorp.



3020 OLD RANCH PARKWAY
SEAL BEACH, CA 90740-2751

G				SCALE:	None	SIZE	B	ORIGINAL DWG. DATE	08MAR02	
F										
E				DRAWN BY:	A. R.	APPROVED BY:	-	CAT/CLASS	--	
D										
C				TITLE	CLOSED TOP TANK				SHEET	1 OF 1
B										
A	Added hidden lines	7/12/05	Z.E.R.	DRAWING NO.	S-1-M0002-1-				REV.	A
REV.	DESCRIPTION	DATE	BY							