

PRODUCT DATA SHEET

January, 2007

GOOSENECK FIXED AXLE (“SINGLE STEP” VERSION)

GENERAL INFORMATION

This tank has a smooth interior wall for easy cleaning.

WEIGHTS AND MEASURES

» Capacity:	475 BBL (19,950 gal.)
» Height:	10'-6½" (grade to top of tank) 12'-7" (grade to top of handrail)
» Width :	8'-5"
» Length:	37'-10" (front wall to rear wall) 39'-11" (rear wall to nose)
» Weight:	24,500 lbs.

STRUCTURAL DESIGN

» Floor:	¼" thick ASTM A36 carbon steel
» Sides/Ends:	¼" thick ASTM A36 carbon steel
» Roof Deck:	¼" thick ASTM A36 carbon steel
» Wall Frame:	3" carbon steel channel
» Roof Frame:	3" carbon steel channel

FEATURES

» Valves:	Front: 1-4" butterfly valve in center "V" with total drain, and 1-4" Bray butterfly valve on passenger side 18" up from floor Rear: 1-4" butterfly valve in rear lower center in "V" with snake handle
» Relief Valve:	16 oz./in ² pressure setting, 0.4 oz./in ² vacuum setting; Buna-N seal
» Rear Flush:	4"-150# flange
» Front Drain:	4"-150# flange

FEATURES - cont.

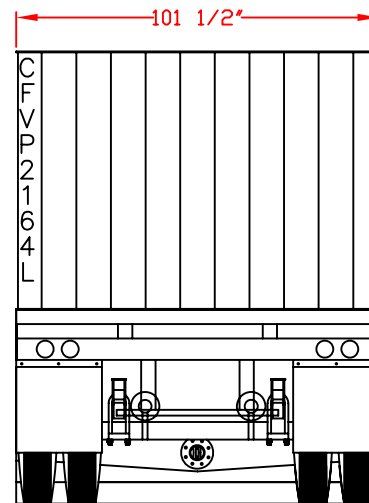
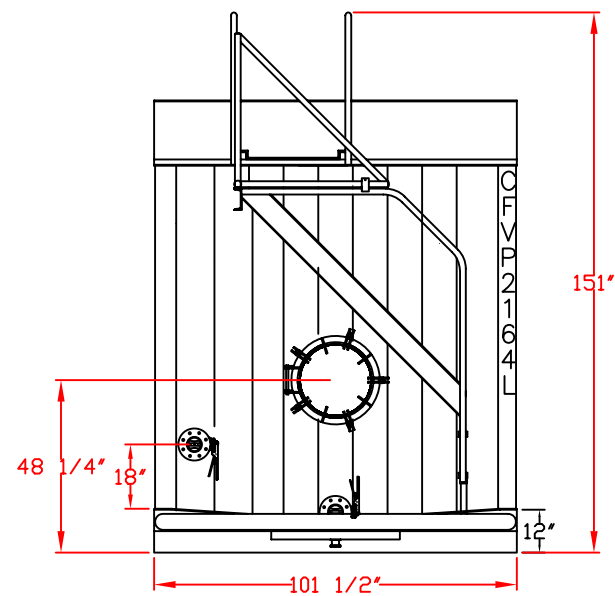
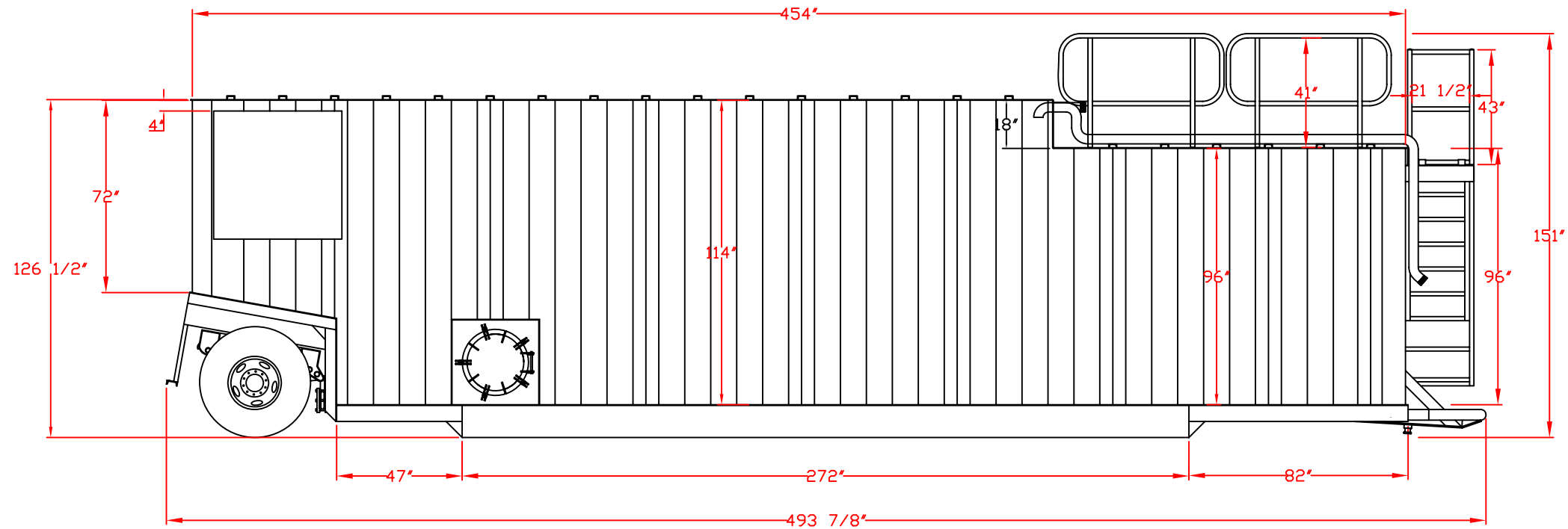
» Top Fill Line:	1-3" threaded connection on front of tank with line continuing to top of tank
» Top Vapor Connection:	1-4" 150# weldneck flange with blind flange located near top manway
» Top Manway:	22" diameter opening with domed lid
» Front Manway:	22" diameter opening with domed lid
» Side Manway:	22" diameter opening with domed lid
» Stairway:	Front of tank up to walkway with GRIP STRUT™ steps and fold-down hand rails
» Walkway:	Steel 24" GRIP STRUT™ walkway with fold-down hand rails
» Level Gauge:	Ball style, 2 - 8" S.S. floats, with indicator protruding through front of tank
» Tires:	Goodyear 11.00 x 22.5 Nylon tubeless
» Axles:	5" round 22,500 lb. rated; 71.5" track; 38" spring centers automatic slack adjusters, cast drums and hub, 30" service chambers, outboard drums
» Brakes:	Air brake system

SURFACE DETAILS

» Exterior Coating:	High gloss polyurethane paint
» Interior Coating:	Chemical resistant lining
» Safety Paint:	Safety yellow – handrails, hatch covers and trip hazard surfaces

TESTS/CERTIFICATIONS

» Test Performed:	Hydrostatic water test after construction and major repairs; Level I, II and III inspections on a scheduled basis
-------------------	-------	---



SPECIFICATIONS:

- 1) Tank Capacity: 19,950 gallons (475 BBL)
- 2) Tank Weight: 24,500 lbs. (empty)

NOTES:

- 1. This drawing is a baseline representation for this model of tank. Variations between this drawing and the actual equipment in the field can and do exist, primarily with appurtenance locations, sizes and quantities. Consult your local BakerCorp representative if specific needs exist.
- 2. **THIS TANK IS NOT DESIGNED FOR TRANSPORTING LIQUIDS.** It should be moved only when empty.
- 3. Tanks of this type have an internal lining (coating) on the wetted surfaces.
- 4. This tank is equipped with a pressure/vacuum relief valve set at 1.0 lbs/sq. in. pressure and 0.4 oz/sq.in. vacuum.

The information contained herein is proprietary to BakerCorp and shall not be reproduced or disclosed in whole or in part, or used for any design or manufacture except when user obtains direct written authorization from BakerCorp

BAKERCORP 3020 OLD RANCH PARKWAY
SEAL BEACH, CA 90740-2751

G				SCALE:	SIZE	ORIGINAL DWG. DATE
F				Do Not Scale	B	11SEP02
E				DRAWN BY:	APPROVED BY:	CAT/CLASS
D				P.J.B.	-	--
C				TITLE		SHEET
B				GOOSENECK FIXED AXLE TANK		1 OF 1
A				DRAWING NO.		REV.
REV.	DESCRIPTION	DATE	BY	S-2-M0008-1-	0	