

PRODUCT DATA SHEET

January, 2007

CONSOLIDATED VACUUM ROLL-OFF BOX

GENERAL INFORMATION

These containers can be used to shuttle sludge or solid wastes directly to a disposal site. They are designed to keep a vacuum truck or other air mover operating full time.

WEIGHTS AND MEASURES

» Capacity:	25 cubic yards
» Height:	6'-10½"
» Width :	8'-0"
» Length:	21'-6"
» Inside Dim.:	20' long x 8' wide
» Weight:	10,100 lbs.

STRUCTURAL DESIGN

» Shell, Bottom Half:	¼" carbon steel plate, one piece.
» Shell, Top Half:	7-gauge carbon steel plate, one piece.
» Ends:	7-gauge carbon steel plate
» Main Rails:	2"x6"x¼" rectangular tubing with 16" on center crossmembers
» Door Sheet:	7-gauge carbon steel plate

FEATURES

» Top Manway:	1 - 21" dome with six wing nuts
» Side Manway:	None
» Wheels:	4 in line, 8" wide & 8" diameter
» Nose Rollers:	Two each end, bulkhead - 6" wide x 4" dia., door end - 5" wide x 2¾" dia.
» Door Hinges:	Three, side mounted
» Locking Mechanism:	T-handles with wing nuts, plus latch mechanism
» Ladder:	On driver side for manway access
» Ports:	(1)- 8" blinded nozzle on door end (1)- 8" blinded nozzle on front end
» Deflectors:	None
» Valves:	None
» Door Gasket:	Neoprene

SURFACE DETAILS

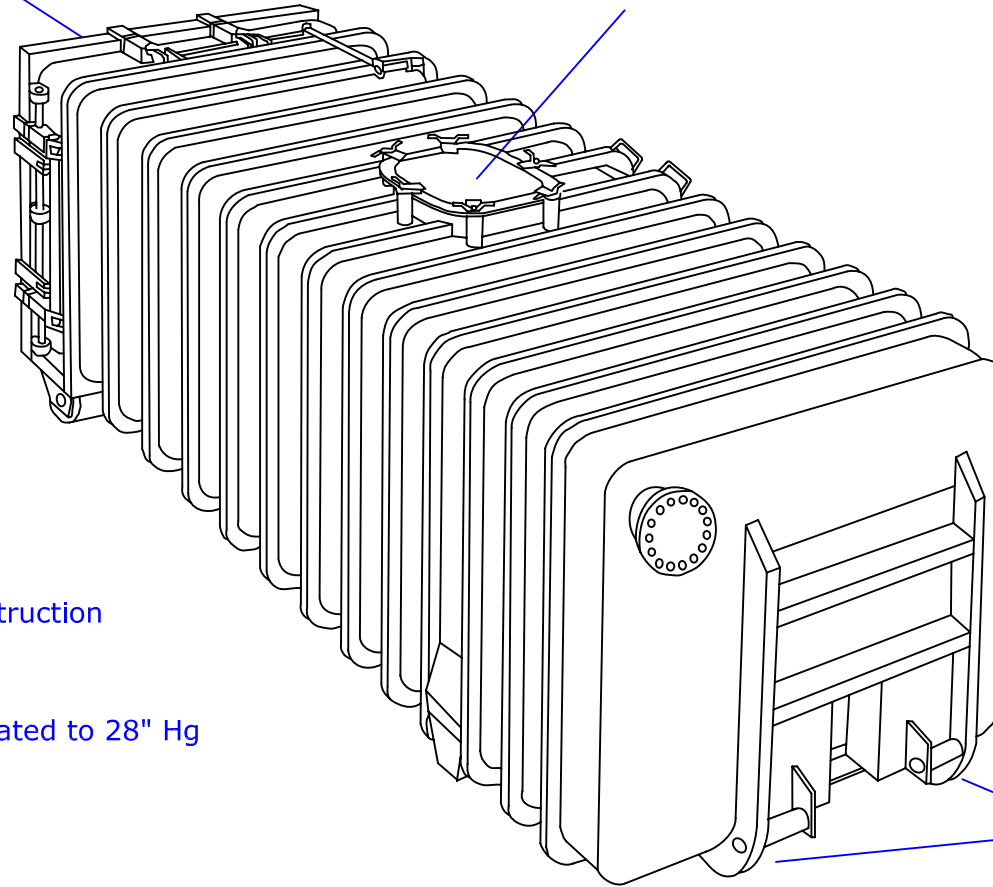
» Exterior Coating:	High gloss polyurethane
» Interior Lining:	None
» Placard Mounts:	(4)- 19"x19", one on each side of box

TESTS/CERTIFICATIONS

» Tests Performed:	Scheduled QMS inspections
--------------------	---------------------------

Hinged
Rear Door

Manway



SPECIFICATIONS:

- 1) Capacity: 25 cubic yards
- 2) Height: 6'-11"
- 3) Width: 8'-0"
- 4) Length: 21'-6"


All Steel Construction

Vacuum-rated to 28" Hg

Rails for roll-off truck
transportation

NOTES:

- 1. This drawing is a general representation for this class of equipment. Refer to the Product Data Sheet for more detailed information.

The information contained herein is proprietary to BakerCorp and shall not be reproduced or disclosed in whole or in part, or used for any design or manufacture except when user obtains direct written authorization from BakerCorp.				 3020 OLD RANCH PARKWAY SEAL BEACH, CA 90740-2751		
G				SCALE: N.T.S.	SIZE: A	ORIGINAL DWG. DATE: 24JAN06
F				DRAWN BY: P.J.B.	APPROVED BY: -	CAT/CLASS: NA
E				TITLE: CONSOLIDATED VACUUM ROLLOFF		SHEET: 1 OF 1
D				DRAWING NO. S-5-M0012-1-	REV. 0	
C						
B						
A						
REV.	DESCRIPTION	DATE	BY			