

PRODUCT DATA SHEET

January, 2007

PMF ROLLOFF BOX

GENERAL INFORMATION

This equipment is designed to be watertight. But is not intended for storage or transport of liquids.

WEIGHTS AND MEASURES

» Capacity:	18 yd ³
» Height:	5'-4"
» Width :	8'-6½" (overall)
» Length:	17'-4" (overall)

STRUCTURAL DESIGN

» Floor:	10-gauge steel plate
» Walls:	12-gauge steel plate
» Door Frame:	3x3 structural tubes.

FEATURES

» Lid Style:	Hydraulically operated flip-top metal lid, split in middle, folds to passenger side
» Tarp Hooks:	Three on door, five on each side
» Wheels:	Four 8" diameter x 6½" wide
» Nose Rollers:	Two 5½" wide x 4" diameter

FEATURES - cont

» Hinges:	Three top mounted
» Door Locks:	Two on the side, two on the bottom, t-handle type
» Ratchets:	Three lid hold-down ratchets on driver's side
» Ladder:	Three rungs on front, driver's side

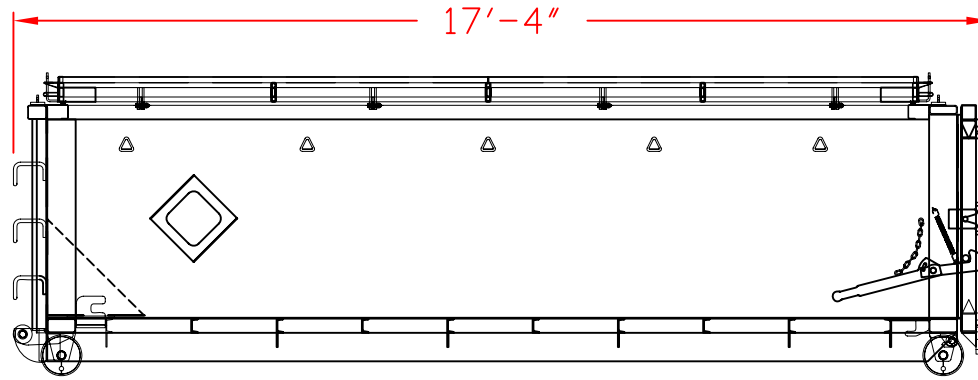
SURFACE DETAILS

» Exterior Coating:	High Gloss Polyurethane
» Interior Lining:	Polyliners only, no coating
» Placard Mounts:	Four, one on each side and end

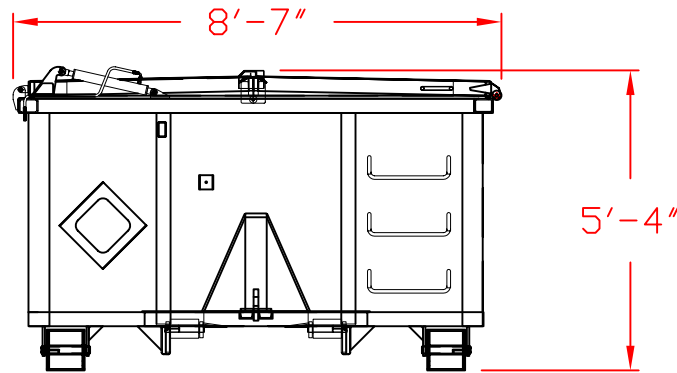
TESTS/CERTIFICATIONS

» Tests Performed:	Regularly scheduled OMS inspections
--------------------	-------	-------------------------------------

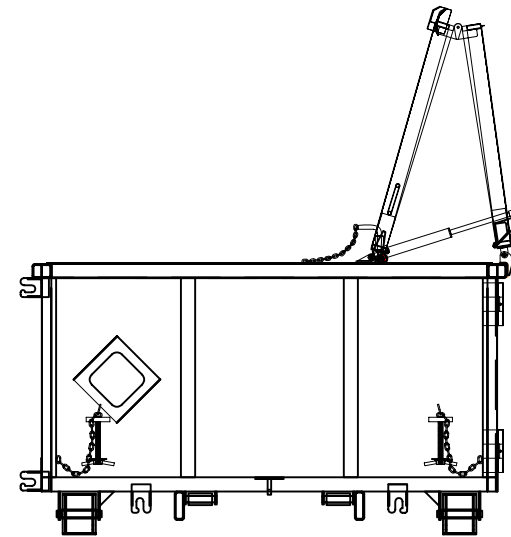




SIDE VIEW - LID DOWN



FRONT VIEW - LID DOWN



REAR VIEW - LID UP

SPECIFICATIONS:

1) Capacity: 18 cubic yards

NOTES:

1. Lid is hydraulically operated, flip top, metal construction

<p>The information contained herein is proprietary to BakerCorp and shall not be reproduced or disclosed in whole or in part, or used for any design or manufacture except when user obtains direct written authorization from BakerCorp.</p>				<p>BAKERCORP 3020 OLD RANCH PARKWAY SEAL BEACH, CA 90740-2751</p>					
G				SCALE:	N.T.S.	SIZE:	A	ORIGINAL DWG. DATE:	26JAN06
F				DRAWN BY:	P.J.B.	APPROVED BY:	-	CAT/CLASS:	NA
E				TITLE				SHEET	
D				PMF ROLLOFF				1 OF 1	
C				DRAWING NO.				REV.	
B				S-2-M0003-1-				0	
A				REV.	DESCRIPTION	DATE	BY		