

PRODUCT DATA SHEET

January, 2007

ESPM ROLL TARP
ROLLOFF BOX

GENERAL INFORMATION

This equipment is designed to be watertight but is for dry storage only, no free liquids.

WEIGHTS AND MEASURES

» Capacity:	21 yd ³ and 25 yd ³
» Height:	21 yd ³ : 5'-6" (grade to top of tarp bow) 25 yd ³ : 6'-0" (grade to top of tarp bow)
» Width :	Both sizes: 8'-4" (top cap, side to side) Both sizes: 9'-4" (tarp roll on side of box to opposite side top cap)
» Length:	Both sizes: 21'-4" (extreme end to end)
» Inside Dimensions:	21 yd ³ : 192"Lx92"Wx42"H 25 yd ³ : 240"Lx92"Wx48"H

STRUCTURAL DESIGN

» Floor:	Both sizes: ¼" thick steel plate
» Walls:	Both sizes: 3/16" thick steel plate
» Door Sheet:	Both sizes: 3/16" thick steel plate
» Door Frame:	Both sizes: 3"x3"x11 ga. structural tubing
» Bulkhead:	Both sizes: 3/16" thick steel plate
» Top Cap: (Sides)	Both sizes: 4"x3"x11 ga. structural tubing

FEATURES

» Lid Style:	Roll tarp
» Hooks:	Twenty interior liner hooks; four exterior hooks on door
» Wheels:	8" wide x 9" diameter
» Hook-up Style:	1" thick open hook, bulkhead end
» Tarp Ratchets:	Three hold-down ratchets on each side
» Hinges:	Three on passenger side
» Door Locks:	Two ratchet load binders
» Ladder:	One interior and one exterior on bulkhead end
» Door Gasket:	EPDM

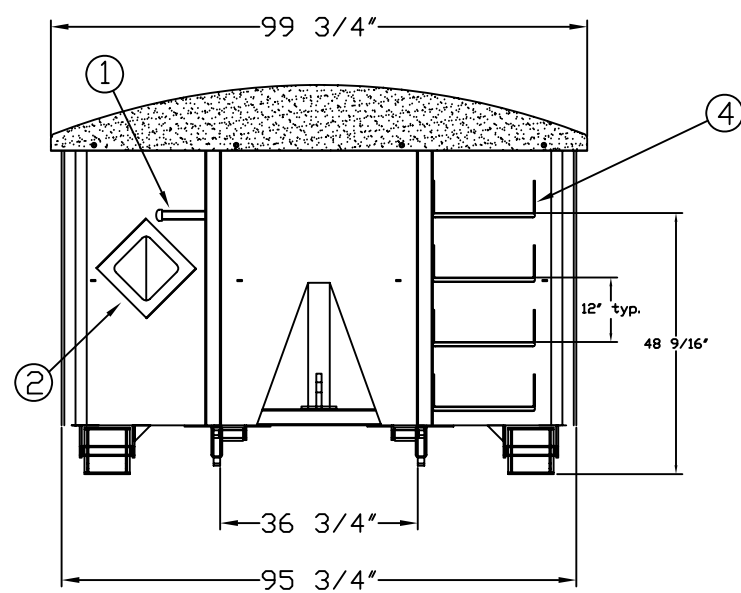
SURFACE DETAILS

» Exterior Coating:	High gloss polyurethane
» Interior Lining:	Polyliners are available
» Placard Mounts:	Four, one on each side and end

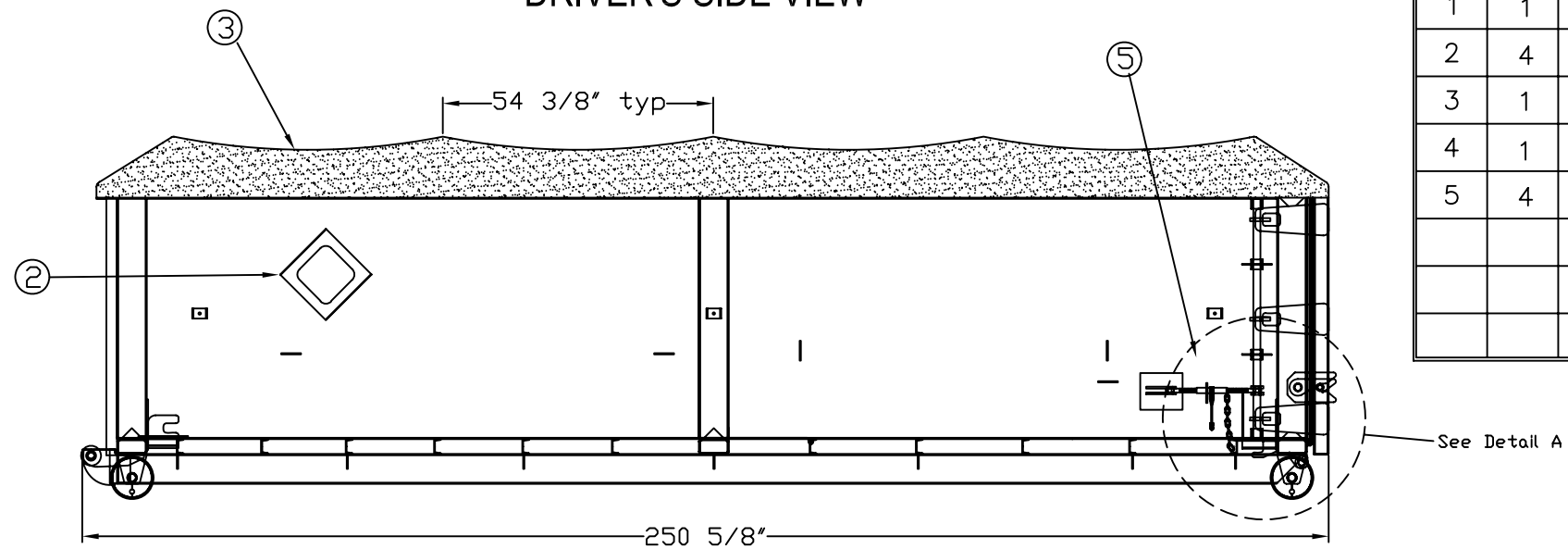
TESTS/CERTIFICATIONS

» Tests Performed:	Scheduled OMS inspections
--------------------	-------	---------------------------

FRONT VIEW

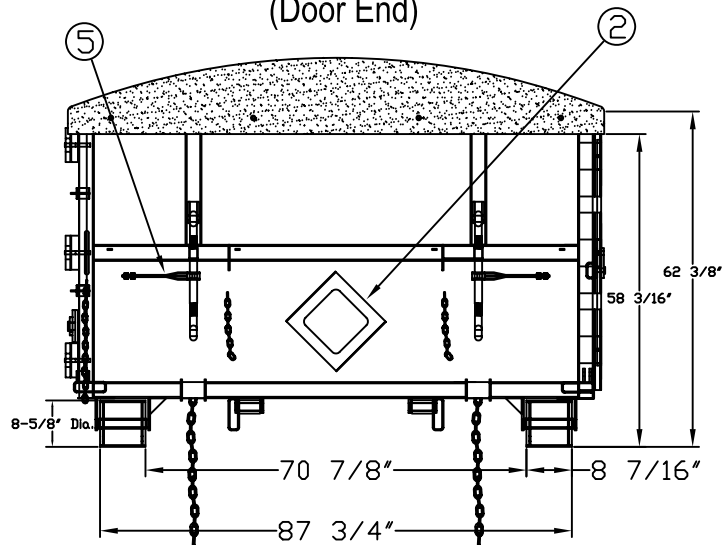


DRIVER'S SIDE VIEW

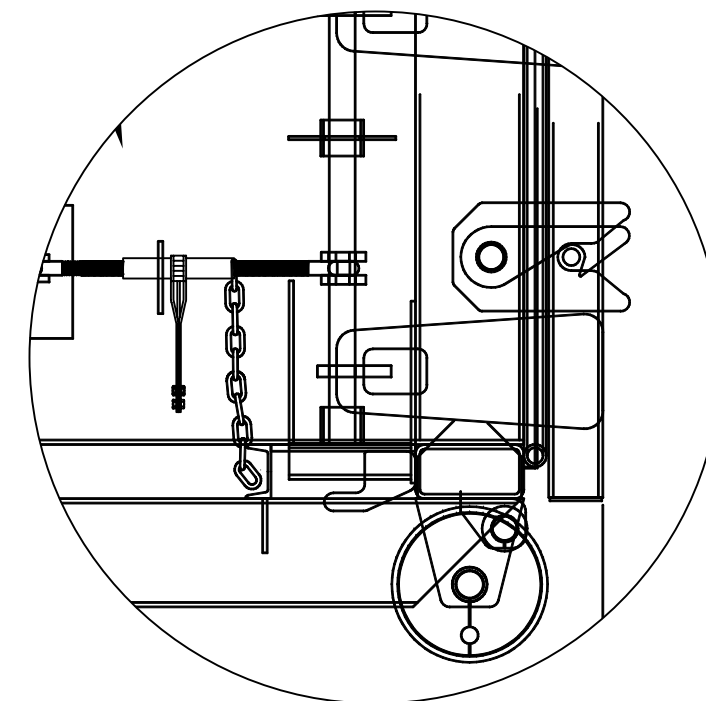
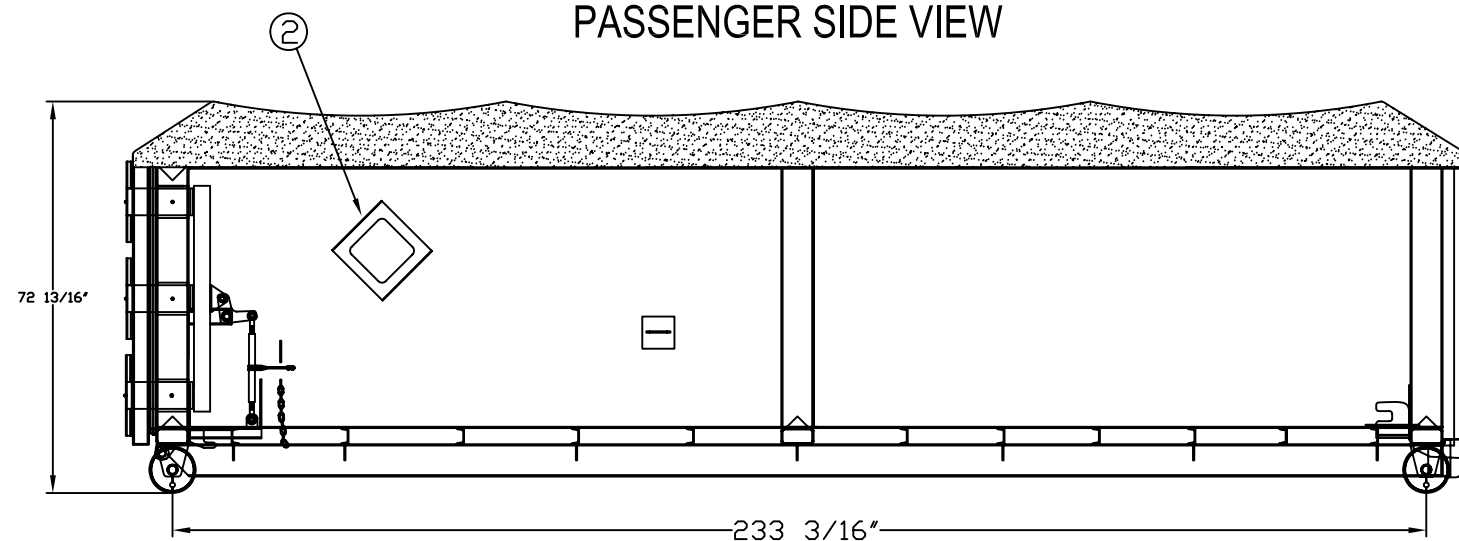


ITEM	QTY	DESCRIPTION
1	1	DOCUMENT HOLDER
2	4	PLACARD HOLDER
3	1	TARP
4	1	EXTERIOR LADDER
5	4	RATCHET BINDER

REAR VIEW
(Door End)



PASSENGER SIDE VIEW



DETAIL A

SPECIFICATIONS:

1) Container Weight: 4,000 lbs. (empty)

NOTES:

1. This drawing is a baseline representation for this model of tank. Variations between this drawing and the actual equipment in the field can and do exist, primarily with appurtenance locations, sizes and quantities. Consult your local BakerCorp representative if specific needs exist.
2. This container is designed for solids only. **NO FREE LIQUIDS SHALL BE STORED OR TRANSPORTED IN THIS CONTAINER.**
3. This container is constructed from A36 carbon steel.

The information contained herein is proprietary to BakerCorp and shall not be reproduced or disclosed in whole or in part, or used for any design or manufacture except when user obtains direct written authorization from BakerCorp.

BAKERCORP™ 3020 OLD RANCH PARKWAY
SEAL BEACH, CA 90740-2751

G				SCALE:	SIZE	ORIGINAL DWG. DATE
F				DO NOT SCALE	B	24JUN02
E				DRAWN BY:	APPROVED BY:	CAT/CLASS
D				PJB		310-2200
C				TITLE		SHEET
B				ESP MFG. 20 CU. YD. ROLL TARP ROLLOFF BOX		1 OF 1
A				DRAWING NO.		REV.
REV.	DESCRIPTION	DATE	BY		S-5-M0001-1-	0