

PRODUCT DATA SHEET

January, 2007

ACCURATE ROLLOFF BOX

GENERAL INFORMATION

This equipment is designed to be watertight.

WEIGHTS AND MEASURES

» Capacity:	25 yd ³
» Height:	Standard rolloff height
» Width :	8'-0"
» Length:	Standard rolloff length
» Weight:	Open Top: 5880 lbs. Roll Tarp: 6030 lbs. Metal Lid: 7230 lbs.

STRUCTURAL DESIGN

» Floor:	3/16" or 7-gauge steel plate
» Walls:	10-gauge steel plate
» Door Sheet:	Minimum 10 gauge, one piece
» Bulkhead:	Minimum 10 gauge steel, ladder included.

FEATURES

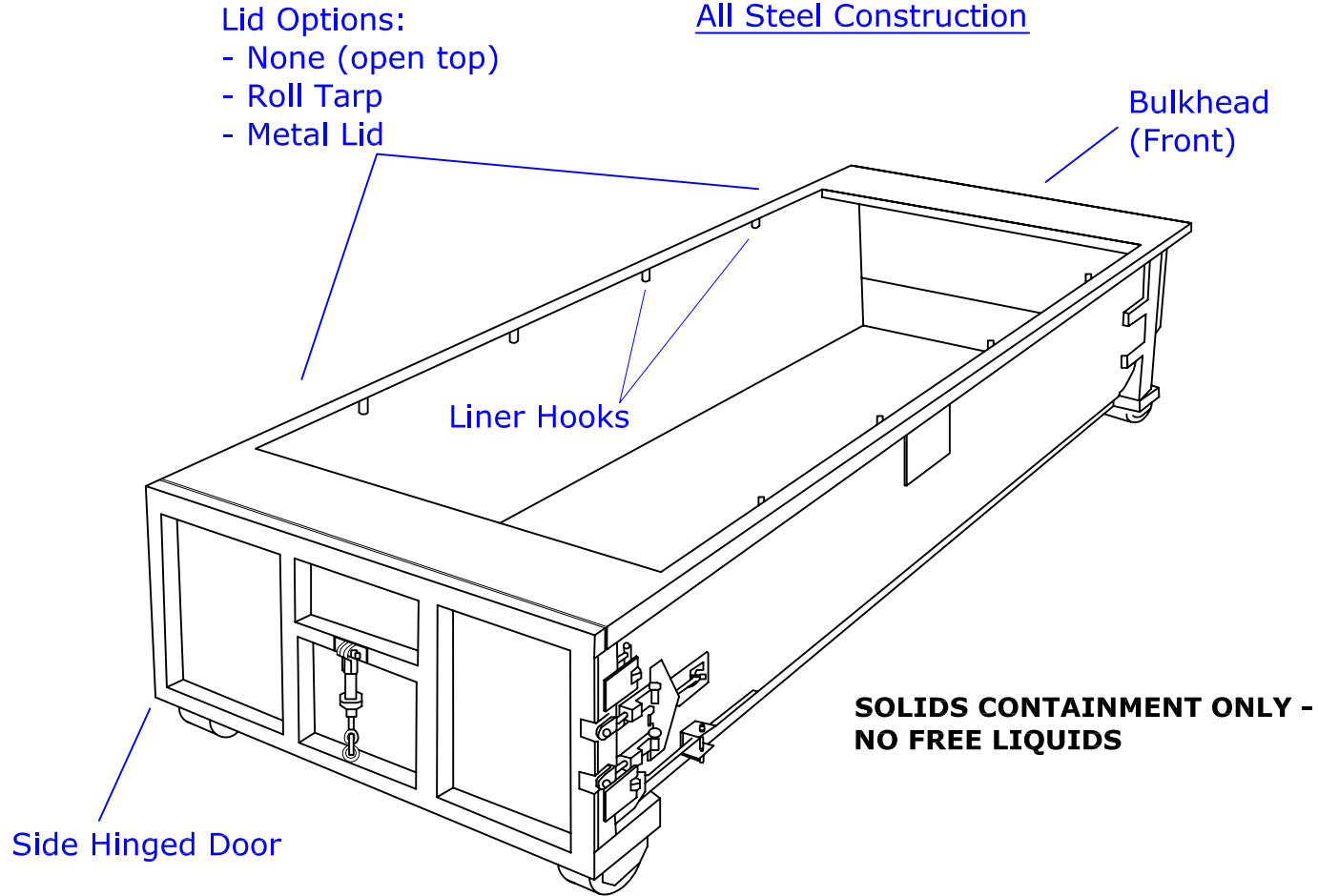
» Lid Style:	Open top, metal Lid & roll tarp
» Liner Hooks:	"J" hooks
» Wheels:	Four in-line. Rear wheels 8" dia. x 10" long, front wheels 8" dia. x 4" long.
» Nose Rollers:	4" diameter X 4" long
» Hook-up Style:	Cable, outside rail, 36½" between rails.
» Liner Hooks:	Installed
» Hinges:	Two, machined with grease fittings.
» Door Locks:	Semi-automatic cam locking system, 1¼" "Posi-Lock" cams and ½" "Posi-Lock" keepers on door.
» Grease Fittings:	Wheels, ratchet binders, rollers and door hinges.

SURFACE DETAILS

» Exterior Coating:	High Gloss Polyurethane
» Interior Lining:	Polyliners only, no coating

TESTS/CERTIFICATIONS

» Tests Performed:	Manufacturer: 100% water tested to full capacity. Scheduled: Level I, II and III inspections.
--------------------	---



NOTES:

1. This drawing is a general representation for this class of equipment.
 Refer to the Product Data Sheet for more detailed information.

The information contained herein is proprietary to Baker Tanks and shall not be reproduced or disclosed in whole or in part, or used for any design or manufacture except when user obtains direct written authorization from Baker Tanks.

BAKERCORP 3020 OLD RANCH PARKWAY
 SEAL BEACH, CA 90740-2751

G				SCALE:	N.T.S.	SIZE	A	ORIGINAL DWG. DATE	23JAN06
F				DRAWN BY:	P.J.B.	APPROVED BY:	-	CAT/CLASS	NA
E				TITLE	ACCURATE INDUSTRIES ROLLOFF			SHEET	1 OF 1
D				DRAWING NO.	S-5-M0018-1-			REV.	0
C									
B									
A									
REV.	DESCRIPTION	DATE	BY						