

# PRODUCT DATA SHEET

January, 2007

## GALBREATH VACUUM INTERMODAL

### GENERAL INFORMATION

These containers are rated for vacuum service.

### WEIGHTS AND MEASURES

» Capacity:	20yd <sup>3</sup> & 25yd <sup>3</sup>
» Height:	20yd <sup>3</sup> : 6'-2" 25yd <sup>3</sup> : 7'-2"
» Width :	Both sizes: 8'-0"
» Length:	Both sizes: 19'-10½"
» Tare Weight:	20yd <sup>3</sup> : 8,200 (3/16"), 10,250 lbs.(1/4") 25yd <sup>3</sup> : 11,260 lbs.
» Actual Volume:	20yd <sup>3</sup> : 553.5 cu. ft. 25yd <sup>3</sup> : 675.0 cu ft.

### STRUCTURAL DESIGN

» Floor:	20yd <sup>3</sup> : 3/16" or ¼" steel plate 25yd <sup>3</sup> : ¼" steel plate
» Side Plates:	20yd <sup>3</sup> : 3/16" or ¼" steel plate 25yd <sup>3</sup> : ¼" steel plate
» Front Plate:	20yd <sup>3</sup> : 3/16" or ¼" steel plate 25yd <sup>3</sup> : ¼" steel plate
» Roof Plate:	20yd <sup>3</sup> : 3/16" or ¼" steel plate 25yd <sup>3</sup> : ¼" steel plate
» Guide Rails:	Roll-off rails 36½" apart
» Door Sheet:	¼" steel plate
» Door Frame:	Structural tubing, one horizontal stiffener and two vertical stiffeners
» Ribs:	Six channel shapes between ends of container

### FEATURES

» Wheels:	7" wide, front and rear
» Nose Rollers:	Two 7" wide on front of container
» Top Manway:	One 24" diameter
» ISO Fittings:	Standard ISO top and bottom corner fittings
» Deflectors:	Two plates, one on each end
» Door Latch:	Side-operated via ratchet binders
» Door Hinges:	Three, top mounted
» Inlet/Outlet:	One 8" x 150# RF flanges centered on each end, 19" down from top of corner elevation.
» Drain:	(1)- 4" NPT pipe nipple and cap at center bottom of rear door
» Ladder:	One at center of container for access to top manway, curbside
» Fork Pockets:	Provided
» Door Gasket:	All around

### SURFACE DETAILS

» Exterior Coating:	High Gloss Polyurethane
» Interior Coating:	None
» Placard Mounts:	(4)- placard mount brackets, one on each side and end

### TESTS/CERTIFICATIONS

» Tests Performed:	Baker level I, II and III scheduled inspections
--------------------	-------------------------------------------------

Hinged Rear Door

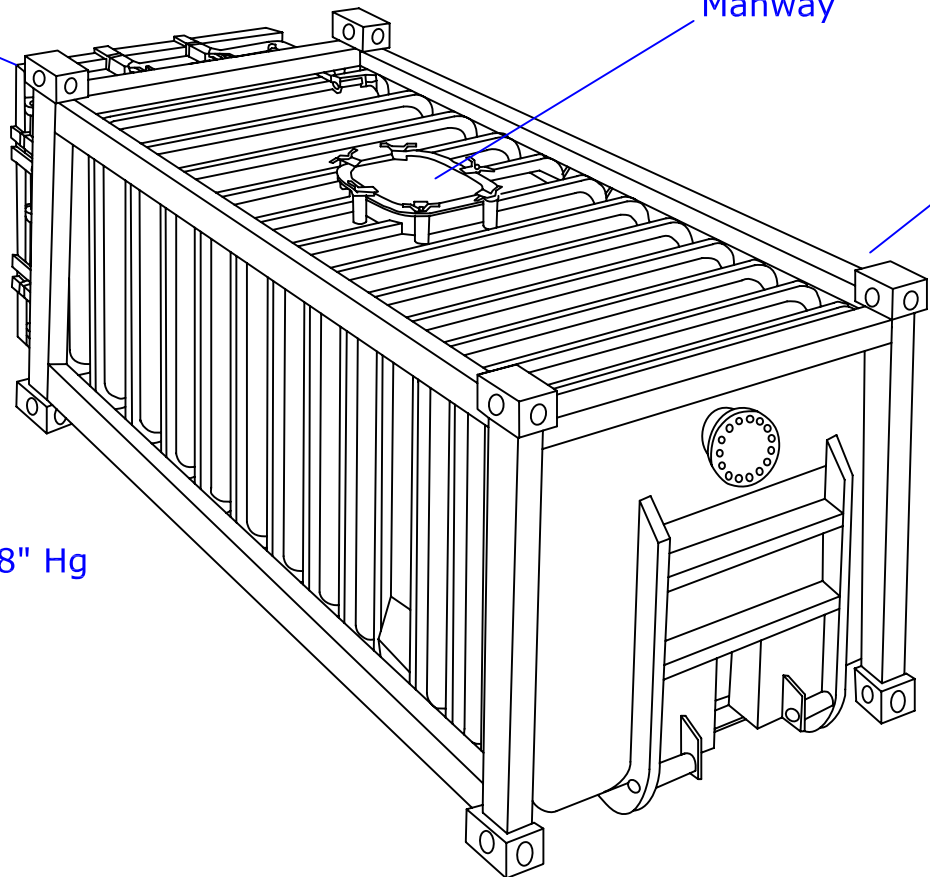
Manway

Standard ISO Corners

All Steel Construction


Rated to 28" Hg

Capacity: 20 & 25 cu. yds.  
 Height: 20 cu. yd: 6'-2"  
 25 cu. yd: 7'-2"  
 Width: 8'-0"  
 Length: 19'-11"



**NOTES:**

- This drawing is a general representation for this class of equipment. Refer to the Product Data Sheet for more detailed information.

The information contained herein is proprietary to BakerCorp and shall not be reproduced or disclosed in whole or in part, or used for any design or manufacture except when user obtains direct written authorization from BakerCorp.				 3020 OLD RANCH PARKWAY SEAL BEACH, CA 90740-2751		
G				SCALE: N.T.S.	SIZE: A	ORIGINAL DWG. DATE: 24JAN06
F				DRAWN BY: P.J.B.	APPROVED BY: -	CAT/CLASS: NA
E						
D				TITLE: GALBREATH VACUUM INTERMODAL		SHEET: 1 OF 1
C				DRAWING NO. S-6-M0003-1-		REV. 0
B						
A						
REV.	DESCRIPTION	DATE	BY			