

PRODUCT DATA SHEET

January, 2007

BRECO INTERMODAL

GENERAL INFORMATION

This container is not to be used for free liquid storage.

WEIGHTS AND MEASURES

» Capacity:	22 yd ³
» Height:	5'-7 1/2"
» Width :	8'-0"
» Length:	19'-10 1/2"
» Tare Weight:	6640 lbs.

STRUCTURAL DESIGN

» Floor:	Steel plate
» Walls:	Steel plate
» Door/Header:	Tubing frame with one horizontal and one vertical stiffener
» Bulkhead:	Steel plate
» Corners:	Eight ISO corners
» Truck Rails:	Roll-off truck rails provided

FEATURES

» Lid Options:	Fiberglass only
» Liner Hooks:	Four, two each side
» Lid Restraint:	Four side-mounted strap ratchets
» Wheels:	Two, door end
» Nose Rollers:	Two, bulkhead end
» Splashplates:	One each end
» Forklift Pockets:	Provided
» Gaskets:	Door is gasketed all around
» Door Hinges:	Three, top mounted
» Door Locks:	One ratchet each side, plus three bottom grab hands

SURFACE DETAILS

» Exterior Coating:	High Gloss Polyurethane
» Interior Lining:	Polyliners only, no coating
» Placard Mounts:	Four, one each side

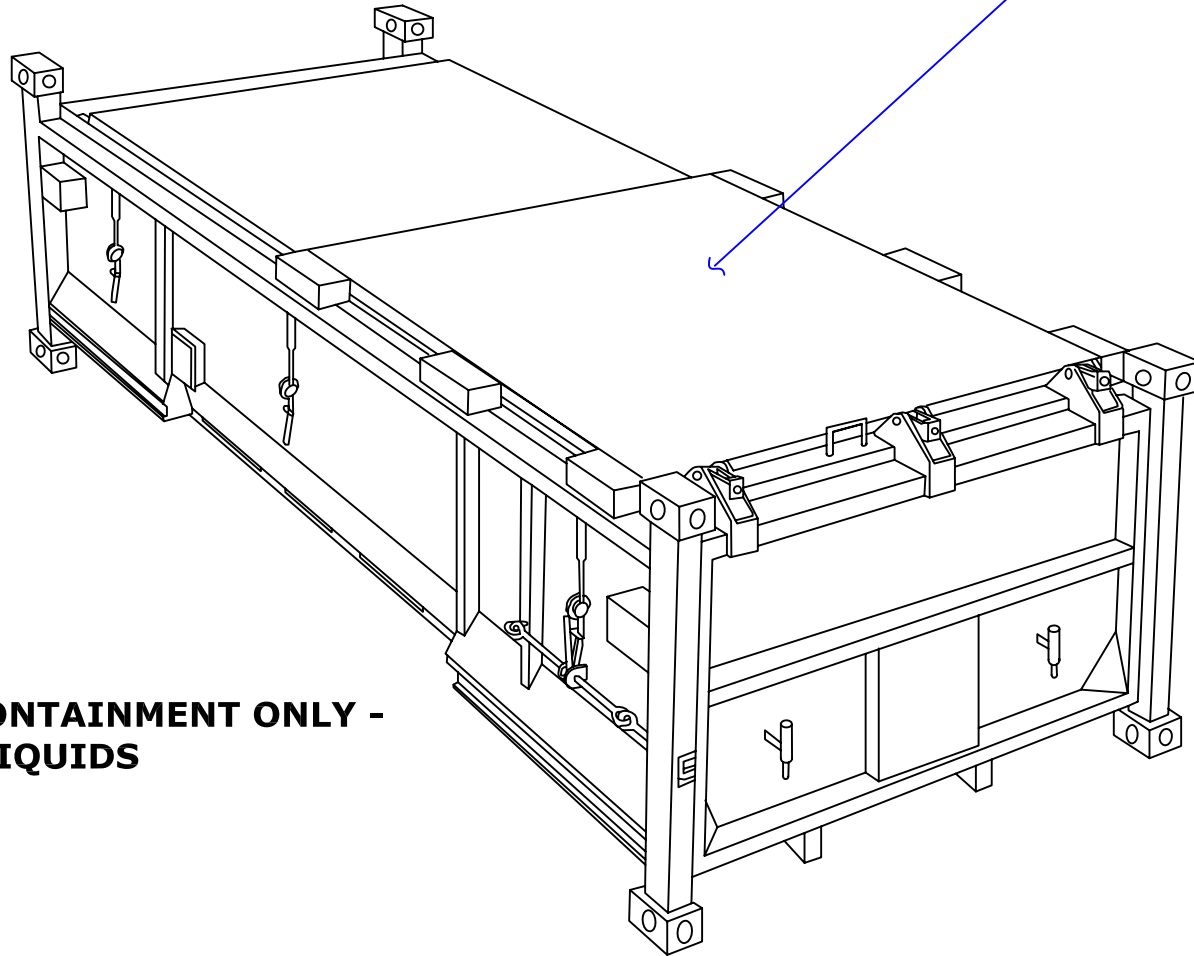
TESTS/CERTIFICATIONS

» Tests Performed:	Standard Baker Level I, II and III inspections
--------------------	--

Container is all steel construction

Fiberglass Lid


Capacity: 22 cu. yds.
 Height: 5'-8"
 Width: 8'-0"
 Length: 19'-11"



**SOLIDS CONTAINMENT ONLY -
 NO FREE LIQUIDS**

NOTES:

1. This drawing is a general representation for this class of equipment. Refer to the Product Data Sheet for more detailed information.

The information contained herein is proprietary to BakerCorp and shall not be reproduced or disclosed in whole or in part, or used for any design or manufacture except when user obtains direct written authorization from BakerCorp.				 3020 OLD RANCH PARKWAY SEAL BEACH, CA 90740-2751		
G				SCALE: N.T.S.	SIZE: A	ORIGINAL DWG. DATE: 24JAN06
F				DRAWN BY: P.J.B.	APPROVED BY: -	CAT/CLASS: NA
E				TITLE: BRECO INTERMODAL		SHEET: 1 OF 1
D				DRAWING NO. S-6-M0002-1-		REV. 0
C						
B						
A						
REV.	DESCRIPTION	DATE	BY			