

PRODUCT DATA SHEET

January, 2007

KLEEN.WATER 3000HPV

GENERAL INFORMATION

These units are designed for the efficient purification of contaminated water or liquid streams. These filters have the ability to remove contaminants to non-detectable levels. The vessels are constructed of heavy-duty mild steel and are lined with a double-layer epoxy coating. These filters are shipped from our warehouse with high quality filtration media ready for connection to process piping. Once the media is "spent", Baker can provide a number of service and disposal options.

WEIGHTS AND MEASURES

» Max. Flowrate:	150 gpm
» Max. Pressure:	75 psi
» Max. Temp:	150°F
» Height:	96"
» Diameter:	60"
» Shipping Wt*: (drum + media) (* Media dependent)	4350 lbs. – 7350 lbs.

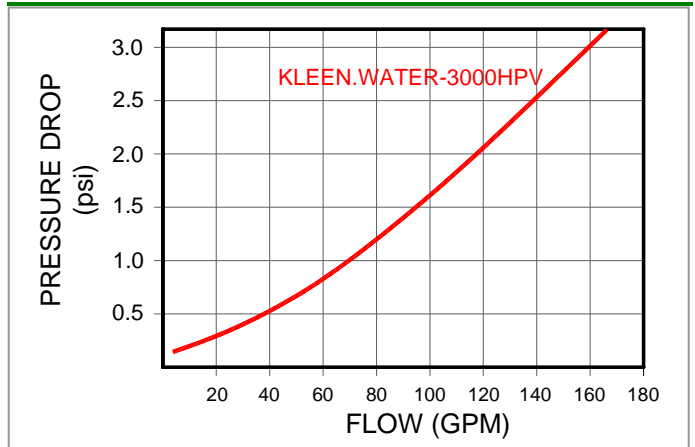
FILTER MEDIA

» Types:	<ul style="list-style-type: none"> ▪ Activated Carbon ▪ Organoclay ▪ Ion Exchange Resin ▪ Specialty Media
» Volume:	102 cu. ft.
» Weight*: (* Media dependent)	3000 lbs. – 6000 lbs.

MISCELLANEOUS

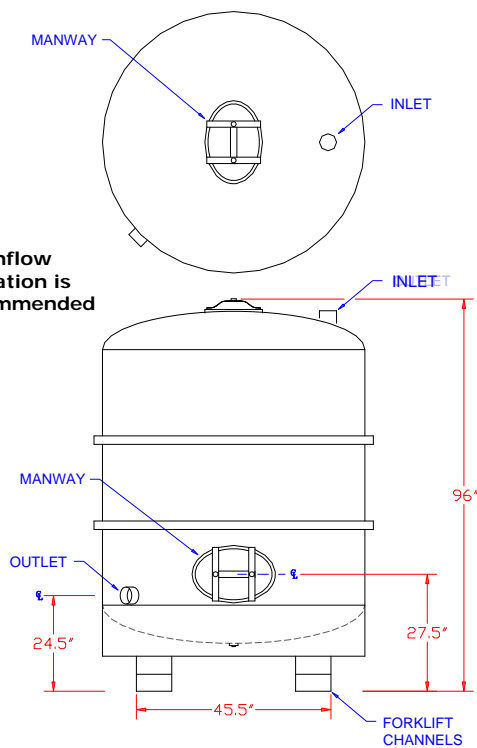
» Inlet:	4" FNPT
» Outlet:	4" FNPT
» Interior Coating:	Double-layered epoxy coating
» Internals:	PVC underdrain
» Media Access:	Top & side 12"x16" manways (neoprene gaskets)

PRESSURE DROP DATA



NOTE:

1. Wet activated carbon preferentially removes oxygen from air. In closed or partially closed containers and vessels, oxygen depletion may reach hazardous levels. If workers are to enter a vessel containing carbon, appropriate procedures for potentially low oxygen spaces must be followed, including all federal and state requirements.



Downflow operation is recommended