

PRODUCT DATA SHEET

January, 2007

KLEEN.WATER 1000P

GENERAL INFORMATION

These units are designed for the efficient purification of contaminated water or liquid streams. These filters have the ability to remove contaminants to non-detectable levels. The vessels are constructed of heavy-duty polyethylene and exceed UN 31 H1 requirements. Four "fold-away top lifting lugs are included.

WEIGHTS AND MEASURES

» Max. Flowrate:	50 gpm
» Max. Pressure:	10 psi
» Max. Temp:	120°F
» Height:	68"
» Diameter:	46"
» Shipping Wt*: (drum + media) (* Media dependent)	1300 lbs. – 2300 lbs.

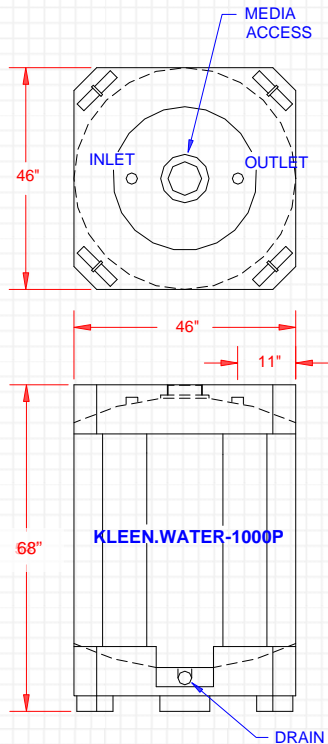
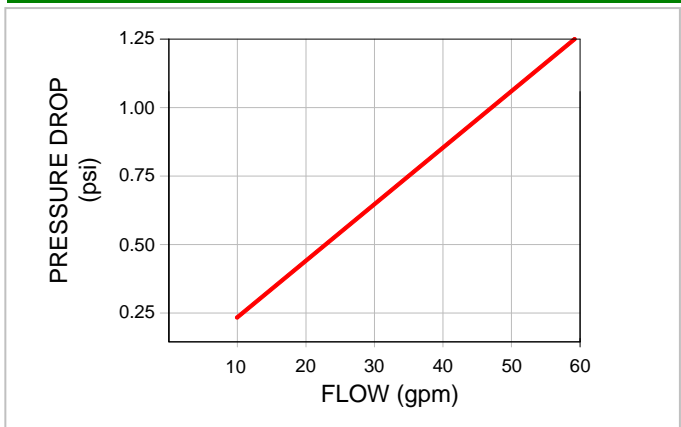
FILTER MEDIA

» Types:	<ul style="list-style-type: none"> •Activated Carbon •Organoclay •Ion Exchange Resin •Specialty Media
» Volume:	33 cu. ft.
» Weight*: (* Media dependent)	1000 lbs. – 2000 lbs.

MISCELLANEOUS

» Construction:	½" thick polyethylene
» Inlet:	2" FNPT
» Outlet:	2" FNPT
» Interior Coating:	None
» Internals:	PVC underdrain
» UN Rating	31 H1
» Media Access:	7" top access port

PRESSURE DROP DATA



Downflow operation is recommended



NOTES:

1. Wet activated carbon preferentially removes oxygen from air. In closed or partially closed containers and vessels, oxygen depletion may reach hazardous levels. If workers are to enter a vessel containing carbon, appropriate procedures for potentially low oxygen spaces must be followed, including all federal and state requirements.