

**PRODUCT DATA SHEET**

January, 2007

**KLEEN.WATER  
1000HPV & 2000HPV**

**GENERAL INFORMATION**

These units are designed for the efficient purification of contaminated water or liquid streams. These filters have the ability to remove contaminants to non-detectable levels. The vessels are constructed of heavy-duty mild steel and are lined with a double-layer epoxy coating.

**WEIGHTS AND MEASURES**

» Max. Flowrate:	1000HPV: 80 gpm 2000HPV: 100 gpm
» Max. Pressure:	75 psi
» Max. Temp:	150°F
» Height:	1000HPV: 70" 2000HPV: 96"
» Diameter:	48"
» Shipping Wt*: (drum + media) (* Media dependent)	1000HPV: 2050 lbs. – 3050 lbs. 2000HPV: 3100 lbs. – 5100 lbs.

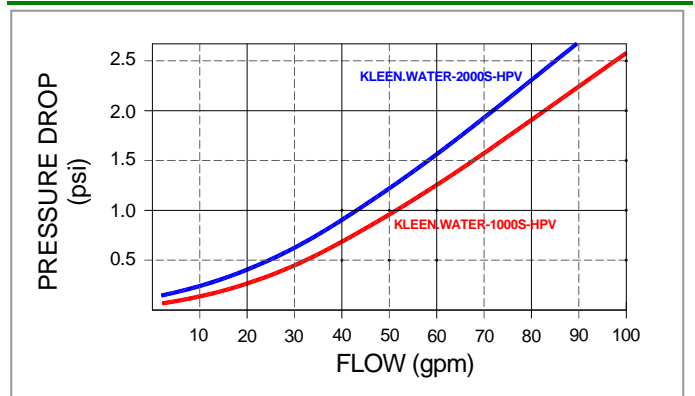
**FILTER MEDIA**

» Types:	•Activated Carbon •Organoclay •Ion Exchange Resin •Specialty Media
» Volume:	1000HPV: 34 cu. ft. 2000HPV: 68 cu. ft.
» Weight*: (* Media dependent)	1000HPV: 1000 lbs. – 2000 lbs. 2000HPV: 2000 lbs. – 4000 lbs.

**MISCELLANEOUS**

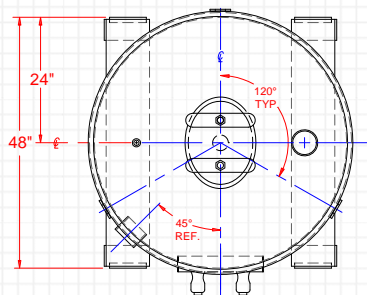
» Inlet:	4" FNPT
» Outlet:	4" FNPT
» Interior Coating:	Double-layered epoxy coating
» Internals:	PVC underdrain
» Media Access:	Top & side 12"x16" manways (neoprene gaskets)

**PRESSURE DROP DATA**

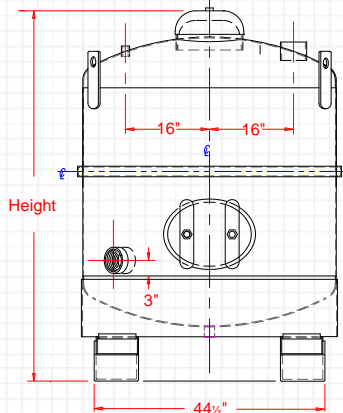


**NOTE:**

1. Wet activated carbon preferentially removes oxygen from air. In closed or partially closed containers and vessels, oxygen depletion may reach hazardous levels. If workers are to enter a vessel containing carbon, appropriate procedures for potentially low oxygen spaces must be followed, including all federal and state requirements.



Downflow operation is recommended



To the best of our knowledge the technical data contained herein are true and accurate at the date of issuance and are subject to change without prior notice. No guarantee of accuracy is given or implied because variations can and do exist. NO WARRANTY OR GUARANTEE OF ANY KIND IS MADE BY BAKERCORP, EITHER EXPRESSED OR IMPLIED.