

PRODUCT DATA SHEET

November, 2005

**KLEEN.AIR
1000HPV & 2000HPV**

GENERAL INFORMATION

These units are designed for the efficient purification of contaminated vapor waste or process streams. They have the ability to remove contaminants to non-detectable levels. The vessels are constructed of heavy-duty mild steel and are lined for corrosion resistance. These filters are shipped from our warehouse with high quality filtration media ready for connection to process piping. Once the media is "spent", Baker can provide a number of service and disposal options.

WEIGHTS AND MEASURES

» Max. Flowrate:	1000HPV: 600 cfm 2000HPV: 600 cfm
» Max. Pressure:	75 psi
» Max. Temp:	150°F
» Height:	1000HPV: 70" 2000HPV: 96"
» Diameter:	48"
» Shipping Wt*: (drum + media)	1000HPV: 2050 lbs. – 3050 lbs. 2000HPV: 3100 lbs. – 5100 lbs.

(* Media dependent)

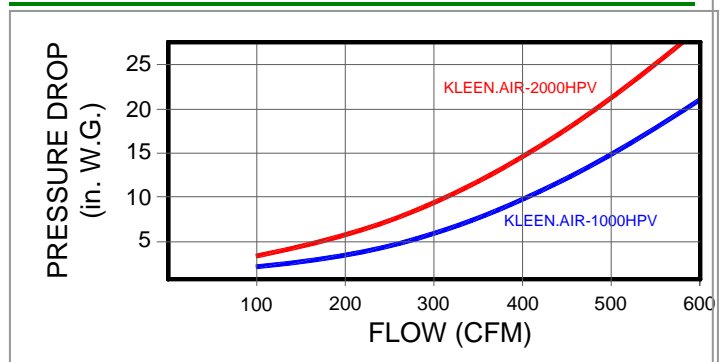
FILTER MEDIA

» Types:	•Activated Carbon •Specialty Media
» Volume:	1000HPV: 34 cu. ft. 2000HPV: 68 cu. ft.
» Weight*: (* Media dependent)	1000HPV: 1000 lbs. – 2000 lbs. 2000HPV: 2000 lbs. – 4000 lbs.

MISCELLANEOUS

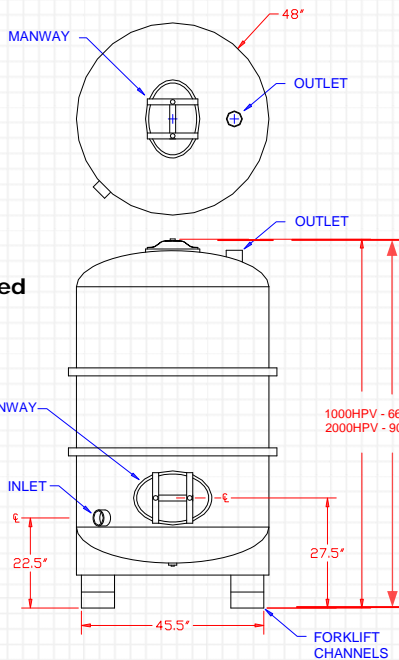
» Inlet:	4" FNPT
» Outlet:	4" FNPT
» Interior Coating:	Double-layered epoxy
» Internals:	PVC inlet diffuser
» Media Access:	12"x16" top and side manways (yoke & bolt style; neoprene gasket)

PRESSURE DROP DATA



NOTES:

1. In the presence of activated carbon, some contaminants may oxidize, polymerize or otherwise react resulting in the release of heat and become a potential fire hazard. Extreme care should be taken in the design and operation of such applications.
2. Wet activated carbon preferentially removes oxygen from air. In closed or partially closed containers and vessels, oxygen depletion may reach hazardous levels. If workers are to enter a vessel containing carbon, appropriate procedures for potentially low oxygen spaces must be followed, including all federal and state requirements.



To the best of our knowledge the technical data contained herein are true and accurate at the date of issuance and are subject to change without prior notice. No guarantee of accuracy is given or implied because variations can and do exist. NO WARRANTY OR GUARANTEE OF ANY KIND IS MADE BY BAKERCORP, EITHER EXPRESSED OR IMPLIED.