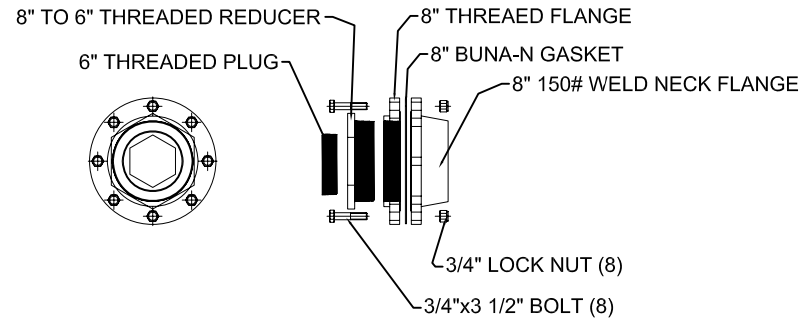
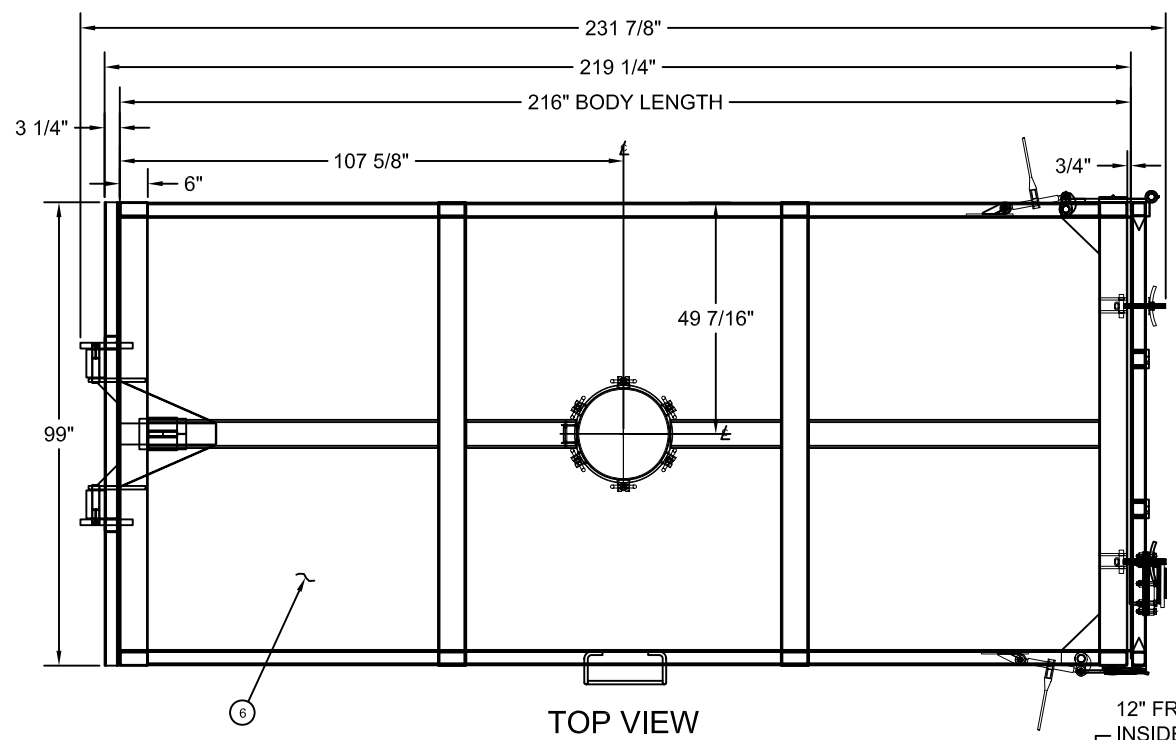


ITEM	QTY	DESCRIPTION
1	1	21 inch manway
2	4	Placard holder
3	1	1/4" plate steel door, side hinged
4	2	1/4" plate steel side walls
5	1	1/4" plate steel front wall
6	1	1/4" plate steel top with 6x3 tubing crossmembers
7	2	Internal deflectors

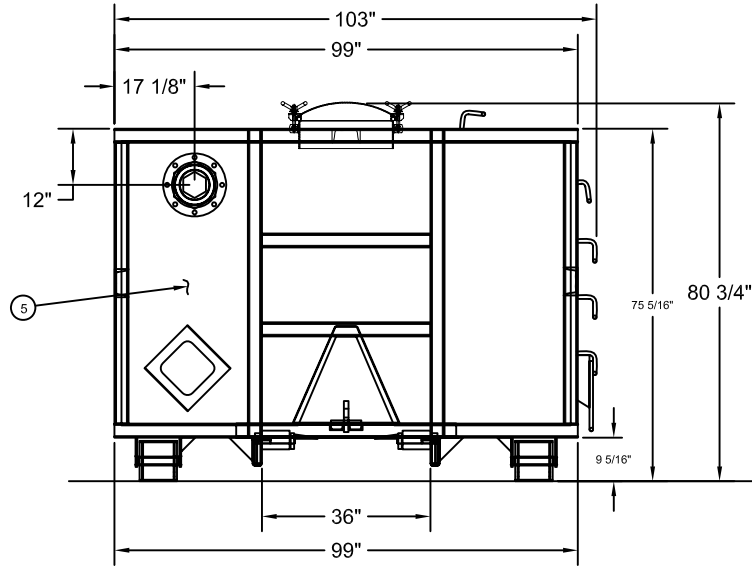


PORT DETAIL

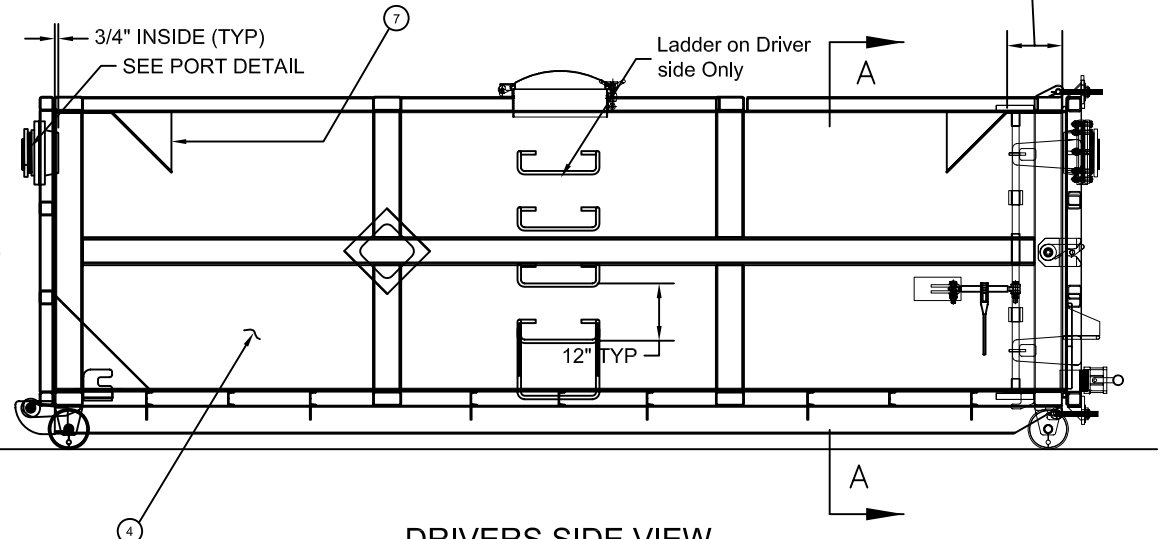
SCALE: 1/20" = 1"



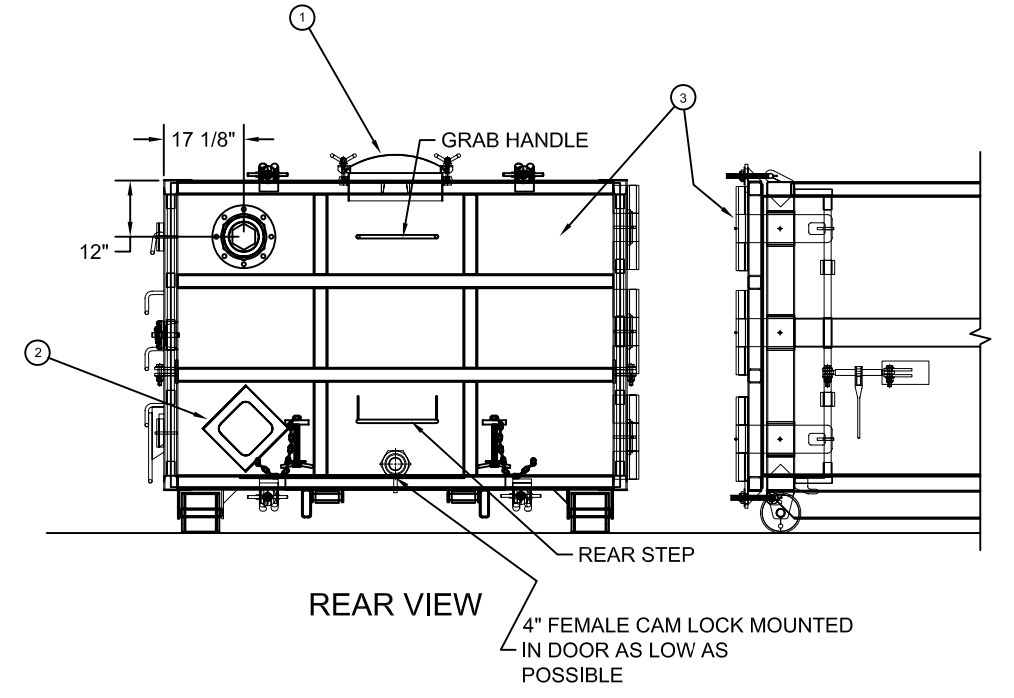
TOP VIEW



FRONT VIEW



DRIVERS SIDE VIEW



REAR VIEW

SPECIFICATIONS:

1) Capacity: 24.4 cu. yds. (4,930 gal)

NOTES:

1. This drawing is a baseline representation for this model of tank. Variations between this drawing and the actual equipment in the field can and do exist, primarily with appurtenance locations, sizes and quantities. Consult your local BakerCorp representative if specific needs exist.

The information contained herein is proprietary to BakerCorp and shall not be reproduced or disclosed in whole or in part, or used for any design or manufacture except when user obtains direct written authorization from BakerCorp.

BAKERCORP 3020 OLD RANCH PARKWAY
SEAL BEACH, CA 90740-2751

G				SCALE:	SIZE	ORIGINAL DWG. DATE
F				DO NOT SCALE	B	28JUN02
E				DRAWN BY:	APPROVED BY:	CAT/CLASS
D				PJB		--
C				TITLE	ESP MFG 25 CU. YD. VACUUM ROLL OFF BOX	SHEET
B						1 OF 1
A	FIXED LINEWEIGHTS	7/12/05	Z.E.R	DRAWING NO.		REV.
REV.	DESCRIPTION	DATE	BY		S-5-M0002-1-	A