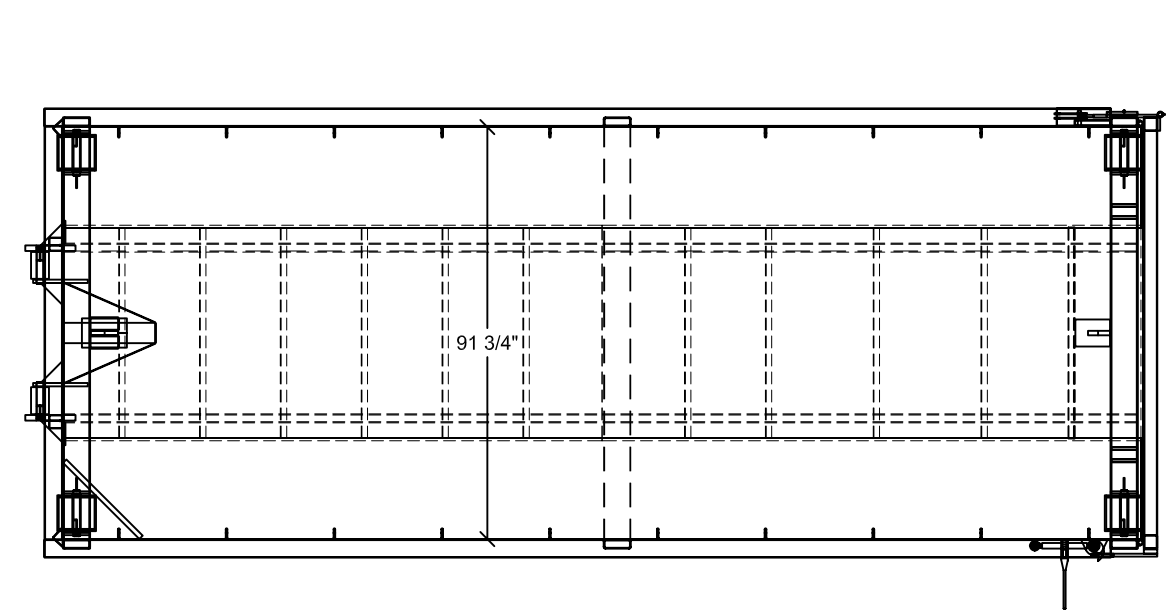


TARP for STACKABLE CONTAINER



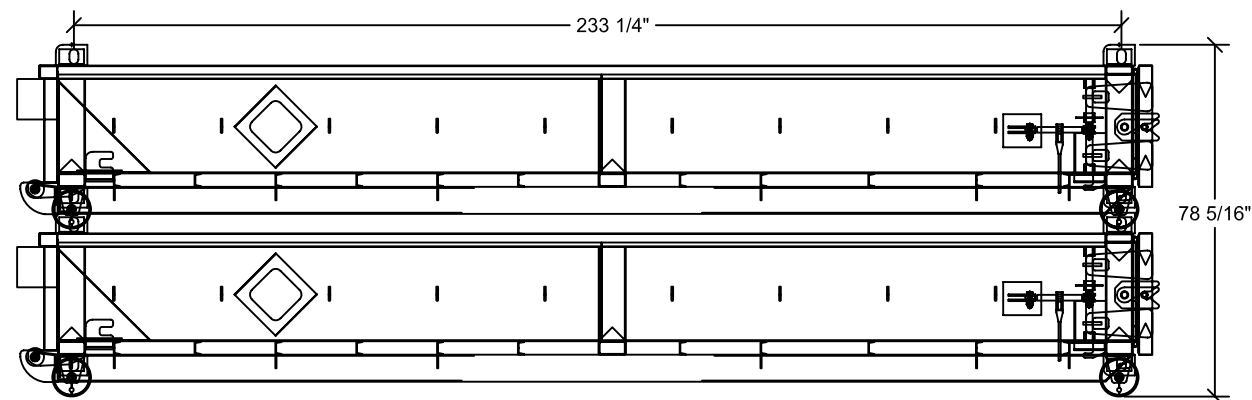
TOP VIEW

SPECIFICATIONS:

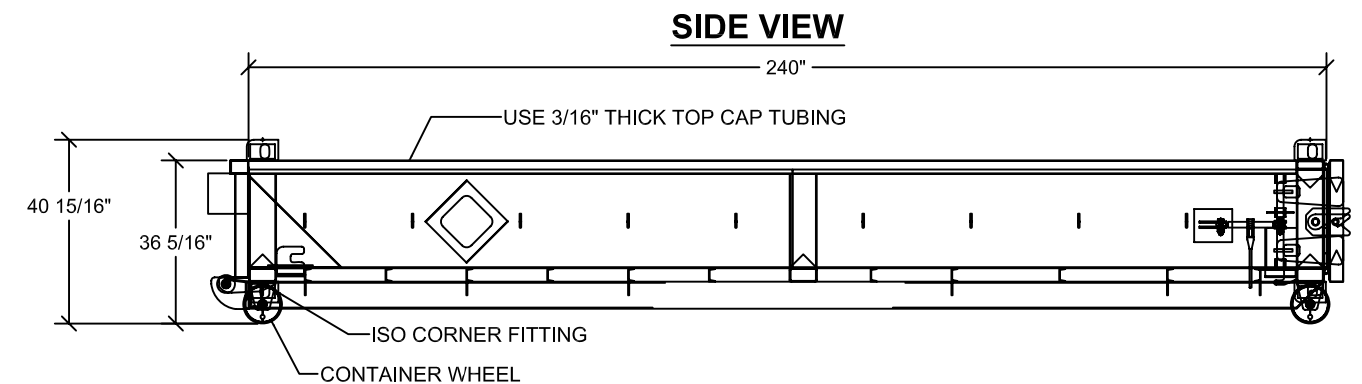
1) Container Capacity: 10 cu. yds.

NOTES:

1. This drawing is a baseline representation for this model of tank. Variations between this drawing and the actual equipment in the field can and do exist, primarily with appurtenance locations, sizes and quantities. Consult your local BakerCorp representative if specific needs exist.
2. This container is designed for solids only. **NO FREE LIQUIDS SHALL BE STORED OR TRANSPORTED IN THIS CONTAINER.**
3. This container is constructed from A36 carbon steel.

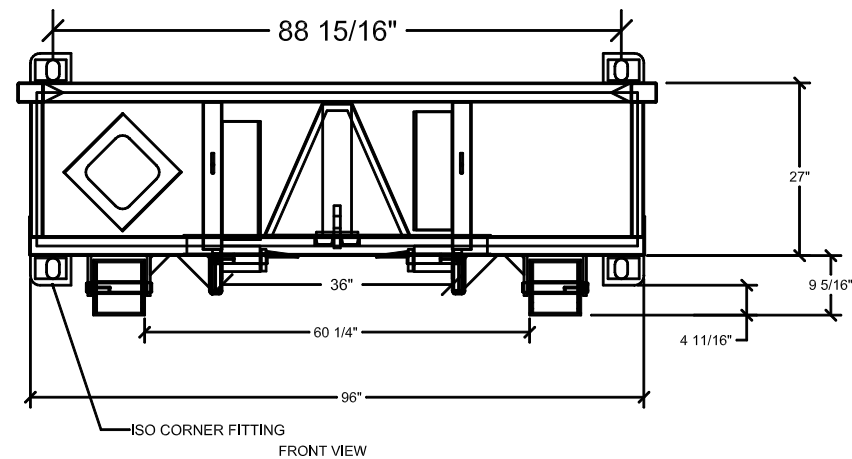


SIDE VIEW - STACKED




SIDE VIEW

FRONT VIEW
(Scale is different from other views)



FRONT VIEW

The information contained herein is proprietary to BakerCorp and shall not be reproduced or disclosed in whole or in part, or used for any design or manufacture except when user obtains direct written authorization from BakerCorp.				 3020 OLD RANCH PARKWAY SEAL BEACH, CA 90740-2751	
G				SCALE: Do Not Scale	SIZE B
F				DRAWN BY: P.J.B.	APPROVED BY: -
E					CAT/CLASS --
D					
C				TITLE ESP MFG. STACKABLE ROLL OFF BOX	SHEET 1 OF 1
B					
A	FIXED LINEWEIGHT & HIDDEN LINES	7/12/05	ZER	DRAWING NO. S-5-M0007-1-	REV. A
REV.	DESCRIPTION	DATE	BY		