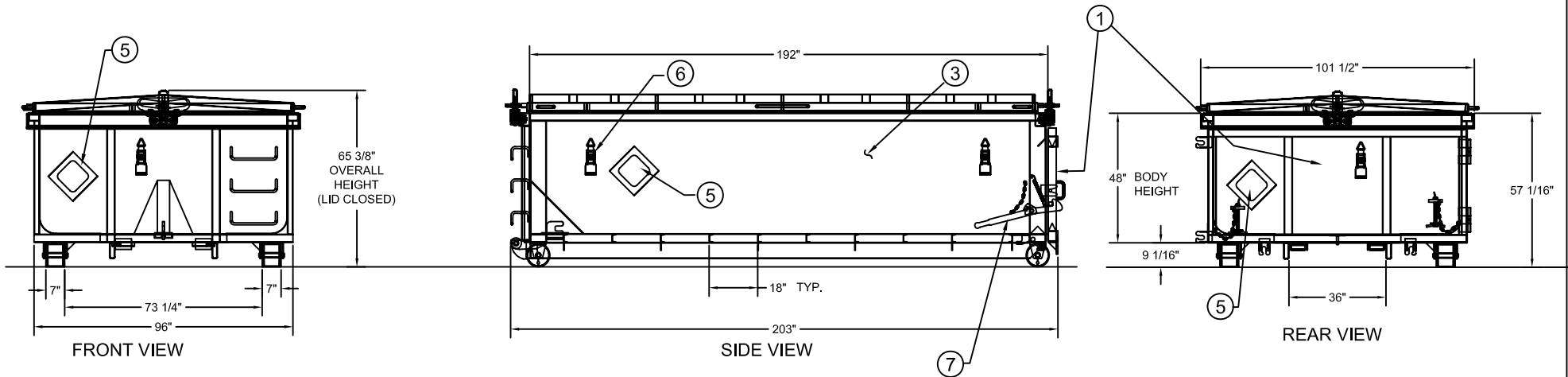


TIME \ MOTION VIEW

ITEM	QTY	DESCRIPTION
1	1	Rear door, side hinged, 10 ga. steel
2	1	Front, 10 ga. steel in tubing frame
3	1	Side, 10 ga. sheet steel
4	1	Sliding roof system w/pressure vent
5	4	Placard holder
6	6	Hold down straps
7	1	Door latching mechanism
8	1	External ladder



**NOTES:**

1. This drawing is a general representation for this class of equipment. Refer to the Product Data Sheet for more detailed information.
2. This container is designed for **solids only**. **NO FREE LIQUIDS SHALL BE STORED OR TRANSPORTED IN THIS CONTAINER.**
3. Material of construction is carbon steel.

The Information contained herein is proprietary to BakerCorp and shall not be reproduced or disclosed in whole or in part, or used for any design or manufacture except when user obtains direct written authorization from BakerCorp.

**BAKERCORP** 3020 OLD RANCH PARKWAY  
SEAL BEACH, CA 90740-2751

G				SCALE:	SIZE	ORIGINAL DWG. DATE
F				Do not scale	A	08JUL02
E				DRAWN BY:	APPROVED BY:	CAT/CLASS
D				PJB		310-1500
C				TITLE		SHEET
B				ESP MFG. 17 YD. METAL LID		1 of 1
A				ROLL OFF (SIDE FLIP TOP)		
REV.	DESCRIPTION	DATE	BY	DRAWING NO.		REV.
				S-5-M0013-1-		0