

PRODUCT DATA SHEET

January, 2007

10K SKID TANK (V.E. Enterprises)

GENERAL INFORMATION

This tank has a smooth interior wall for easy cleaning. This is a skid-mounted tank.

WEIGHTS AND MEASURES

» Capacity:	238 BBL. (10,000 gallons)
» Height:	8'-6" (top of tank), 9'-0" (overall)
» Width :	8'-0"
» Length:	25'-0" (tank only)
» Weight:	10,500 lbs.

STRUCTURAL DESIGN

» Floor:	¼" thick ASTM A36 carbon steel
» Sides/Ends:	¼" thick corrugated A36 carbon steel
» Top Deck:	¼" thick ASTM A36 carbon steel
» Internal Cross Bracing:	None

FEATURES

» Top Access:	1 - 22" diameter manway, rear hinged
» Front Access:	1 - 22" diameter manway, hinged on the left. Centerline 46" up from ground elev.
» Side Access:	1 - 22" diameter recessed manway hinged to right
» Manway Seals:	Buna-N

FEATURES – cont.

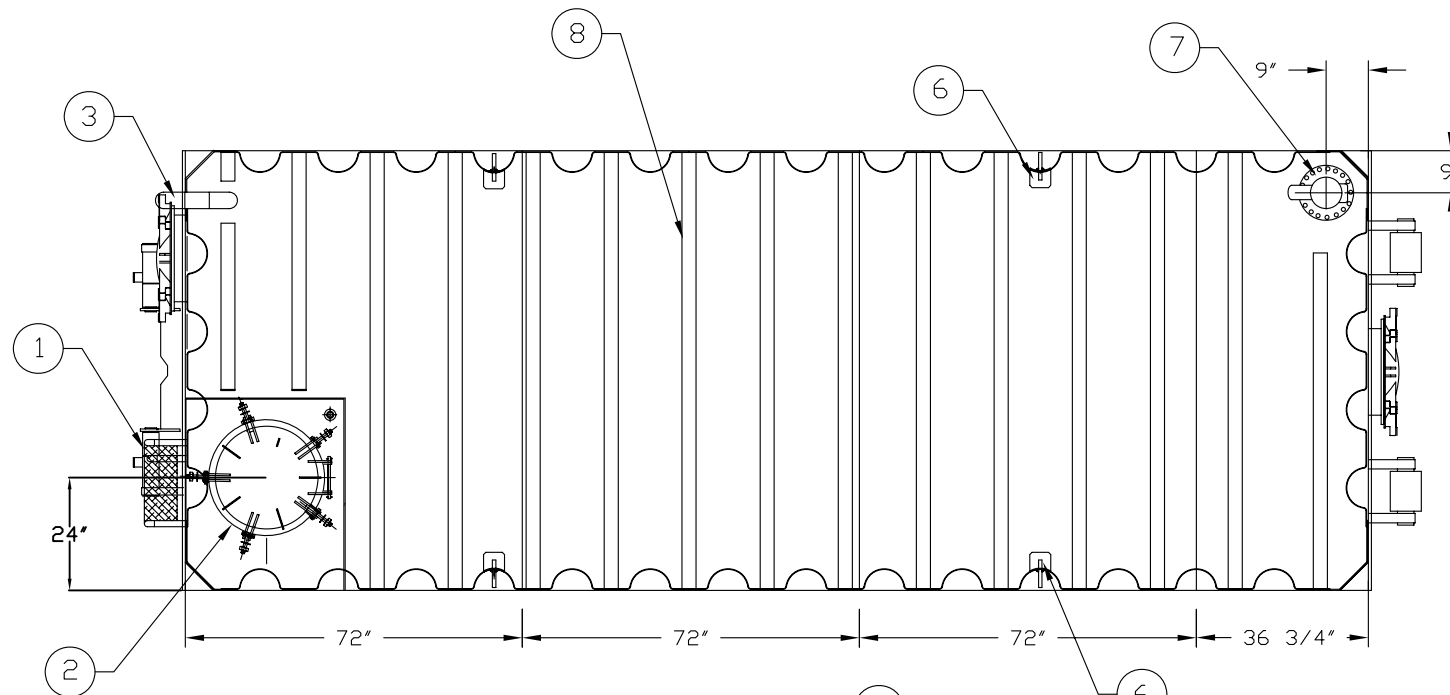
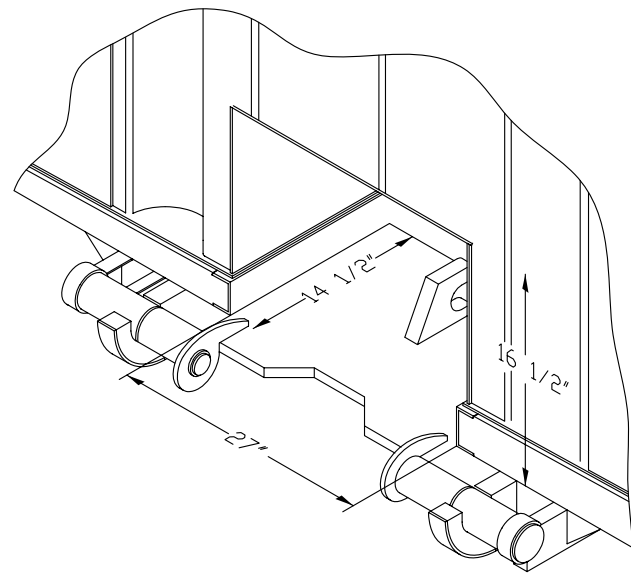
» Exterior Ladder:	1 – front end of tank
» Valves:	3-4" 150# threaded flange with butterfly (two on front of tank, one on rear of tank)
» Relief Valve:	None
» Fill Line:	3" top fill with capped MPT extension to front of tank
» Front Drain:	(1) - 4"
» Rear Flush:	(1) - 4" w/butterfly valve
» Level Gauge:	None
» Wheels:	None, skid mounted
» Overflow:	4" on front side of tank

SURFACE DETAILS

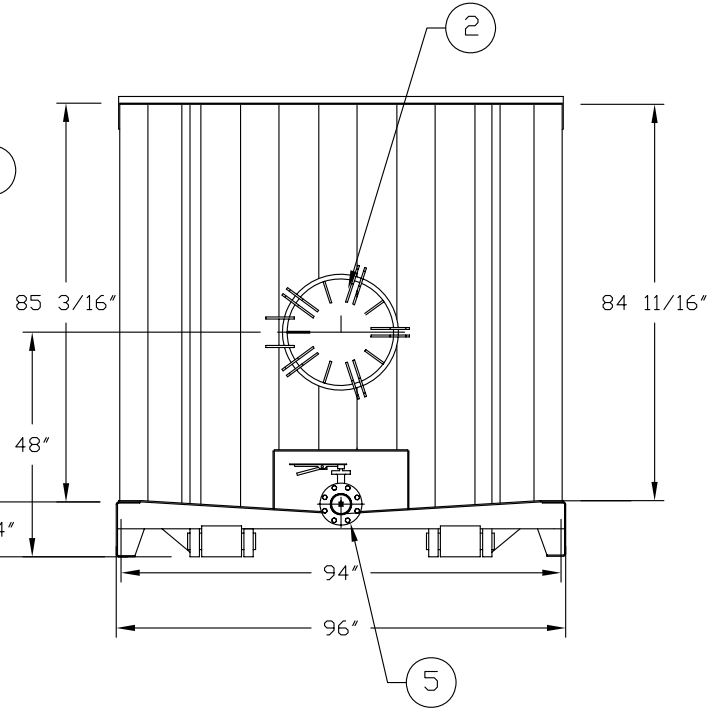
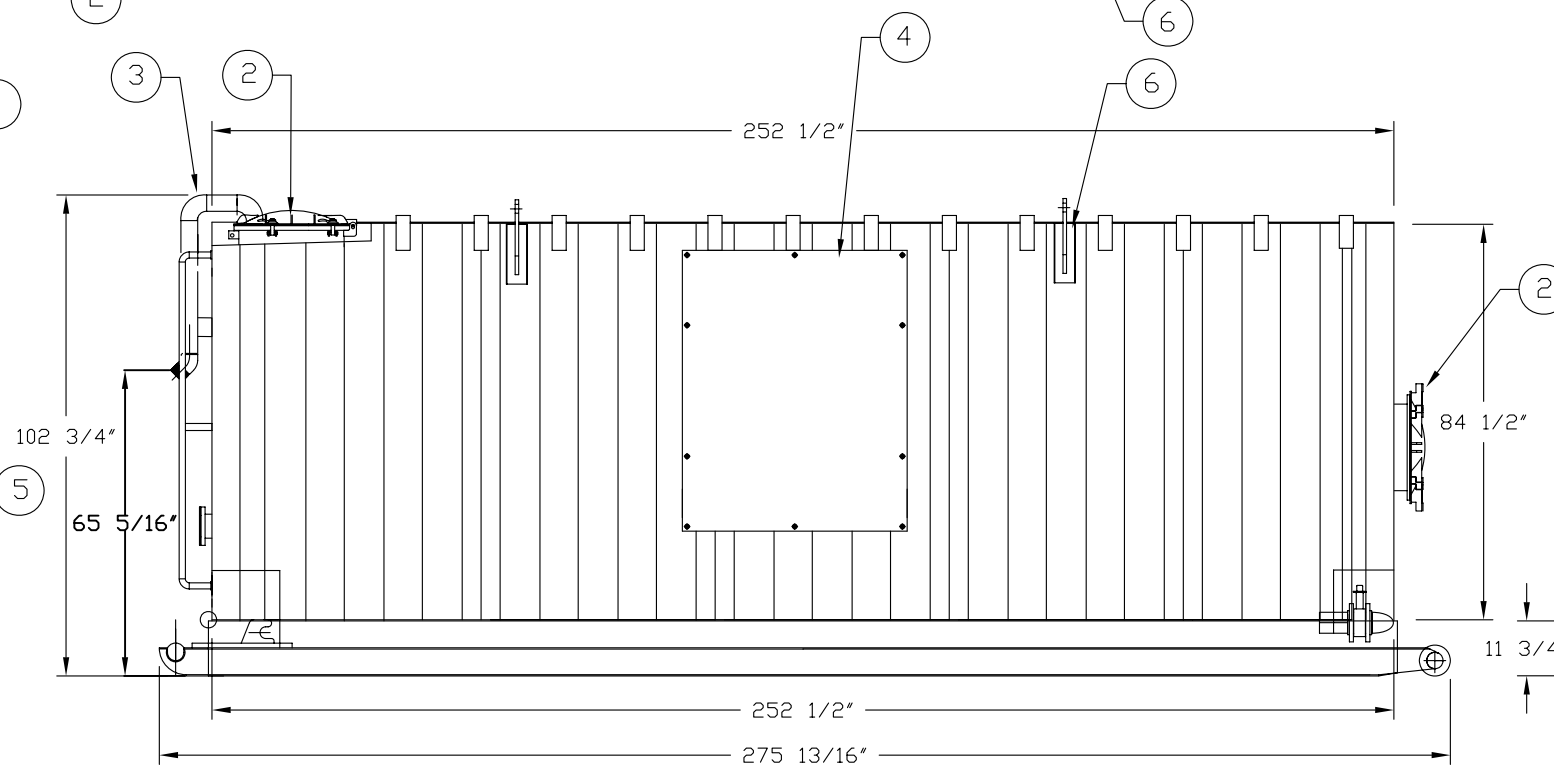
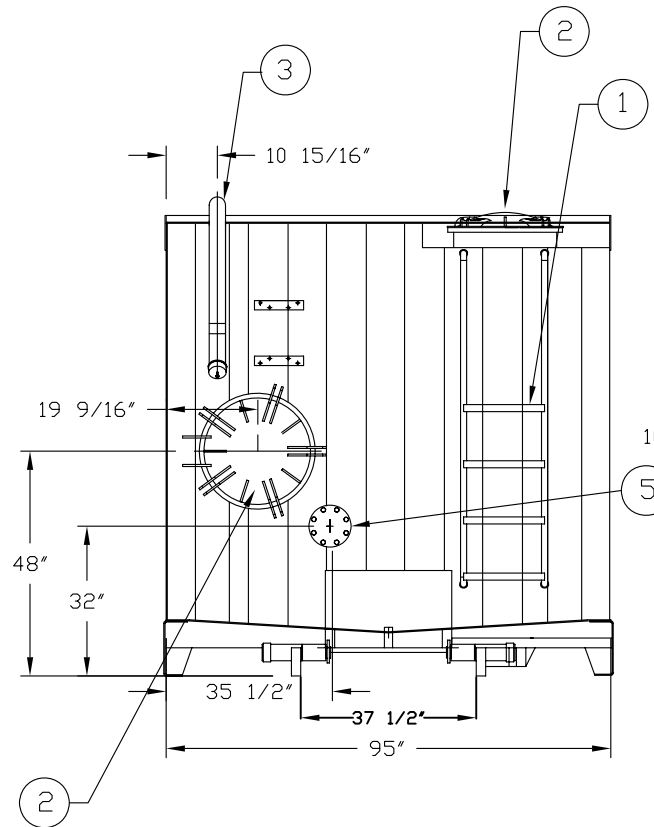
» Exterior Coating:	High Gloss Polyurethane
» Interior Coating:	Some tanks are protected with a chemical resistant lining; other tanks are uncoated.

TESTS/CERTIFICATIONS

» Test Performed:	Scheduled QMS inspections
-------------------	---------------------------



ITEM	QTY	DESCRIPTION
1	1	LADDER WITH PLATFORM
2	3	22" DIAMETER MANWAY
3	1	3" SCH. 40 FILL LINE
4	2	SIGN PLATE
5	2	4" CONNECTION
6	4	LIFTING LUG
7	1	VENT HATCH, ENARDO MOD #660 2 oz vac/4 oz press
8	15	C3x4.1 RAFTER



SPECIFICATIONS:

- 1) Tank Capacity: 10,000 gallons (238 BBL)
- 2) Tank Weight: 10,500 lbs. (empty) Δ

NOTES:

- 1. This drawing is a baseline representation for this model of tank. Variations between this drawing and the actual equipment in the field can and do exist, primarily with appurtenance locations, sizes and quantities. Consult your local BakerCorp representative if specific needs exist.
- 2. THIS TANK IS NOT DESIGNED FOR TRANSPORTING LIQUIDS. It should be moved only when empty.
- 3. Check with your BakerCorp representative regarding internal lining (coating) on the wetted surfaces.
- 4. This tank is not equipped with a pressure/vacuum relief valve.

The information contained herein is proprietary to BakerCorp and shall not be reproduced or disclosed in whole or in part, or used for any design or manufacture except when user obtains direct written authorization from BakerCorp.

BAKERCORP 3020 OLD RANCH PARKWAY
SEAL BEACH, CA 90740-2751

G				SCALE:	SIZE	ORIGINAL DWG. DATE
F				Do Not Scale	B	15JUL02
E				DRAWN BY:	APPROVED BY:	CAT/CLASS
D				P.J.B.		--
C				TITLE		SHEET
B				VE ENTERPRISES 10K TANK		1 of 1
A	Corrected the weight	6/17/03	PJB	DRAWING NO.		REV.
REV.	DESCRIPTION	DATE	BY	S-9-M0001-1-		0