

PRODUCT DATA SHEET

12/11/2012

BP128HS-CD300PS

BakerPrime 12x8 High Pressure Solids Handling Unit (Platform, Skid)

GENERAL INFORMATION

The compressor/venturi priming system uses a compressor to blow compressed air through a jet into a tapered tube to create a vacuum on the suction.

PERFORMANCE DATA

» Flow (min/max):	- 1600 gpm / 5000 gpm
» Minimum Shutoff Head:	- 112 feet (48 psi) @ 1000 rpm (1)
» Maximum Shutoff Head:	- 367 feet (159 psi) @ 1800 rpm (1)
» Minimum Speed:	- 1000 rpm
» Maximum Speed:	- 1900 rpm
» Maximum Suction Lift:	- 25 feet (2)
» Maximum Casing Press:	- 175 psi
» Maximum Temperature:	- 190°F (7)
» Maximum Solids Size:	- 3.38" spherical diameter

PUMP SPECIFICATIONS

» Impeller:	- 17.5"
» Bearing Lubrication:	- Grease
» Vacuum System:	- 34 cfm Compressor/Venturi
» Mechanical Seal Lubrication:	- SAE No. 30 Oil (3)

PHYSICAL SPECIFICATIONS

» Suction Size:	- 12" flange
» Discharge Size:	- 8" flange
» Approximate Weight:	- 8970 lbs dry / 11100 lbs wet
» Overall Height:	- 99" (to top of lifting eye)
» Overall Width:	- 60" (outer most edges)
» Overall Length:	- 180" (nose to tail)

Enclosure (Optional)

> Enclosure is made from Galvaneal. Hinged doors on each side provide easy interior access for servicing. Soundproof insulation provides the quietest operation in the industry, and the entire unit, including controls, can be locked for added security.

» Sound Rating:	- 71 dBA at 23 feet
-----------------	---------------------

BakerCorp Reference # 412-0205

To the best of our knowledge the technical data contained herein are true and accurate at the date of issuance and are subject to change without prior notice. No guarantee of accuracy is given or implied because variations can and do exist.

NO WARRANTY OR GUARANTEE OF ANY KIND IS MADE BY BAKERCORP, EITHER EXPRESSED OR IMPLIED.

MATERIAL SPECIFICATIONS

» Pump Casing:	- Cast Iron
» Shaft Sleeve:	- Heat Treated 416 SS
» Wear Rings:	- Cast Iron
» Mechanical Seal Faces:	- Tungsten/Silicon-Carbide
» Pump Shaft:	- 4140/4142 HT Steel
» O-rings:	- Viton
» Impeller:	- Cast Iron
» Check Valve Body:	- Gray Iron No. 30
» Check Valve Flapper:	- Buna-N

ENGINE SPECIFICATIONS

» Engine Make/Model:	- Deere 6090H
» Total Displacement:	- 9.0 Liter
» Aspiration:	- Turbocharged
» Max. Continuous BHP:	- 300 @ 2200 rpm (4)
» Crankcase Oil:	- SAE 10W40 (5)
» Coolant:	- 50/50 Water/Antifreeze
» Safety Shutdowns:	- High Water Temp, Low Water Level & Low Oil Pressure
» Fuel Consumption:	- 11.43 gal/hr @ 1800 rpm (6)
» Run Time:	- 26 hours at 1800 rpm at 80% Engine Load
» Fuel Capacity/Type:	- 300 gal of No. 2 diesel
» Number of Cylinders:	- Six

Notes:

(1) Based on 1.0 specific gravity

(2) Depends on flow rate, pump speed, and elevation. See performance curve.

(3) Should always be visible and clear in appearance thru sight glass.

(4) WARNING - this is the rated speed for the ENGINE ONLY. The rated speed of the pump is less. See curve for max pump RPM.

(5) Must be changed every 250 hours of runtime.

(6) Run time fluctuates with speed and engine loads.

(7) Equipment material limitation. Lower max temperature may be necessary due to application conditions and pump NPSH requirements.

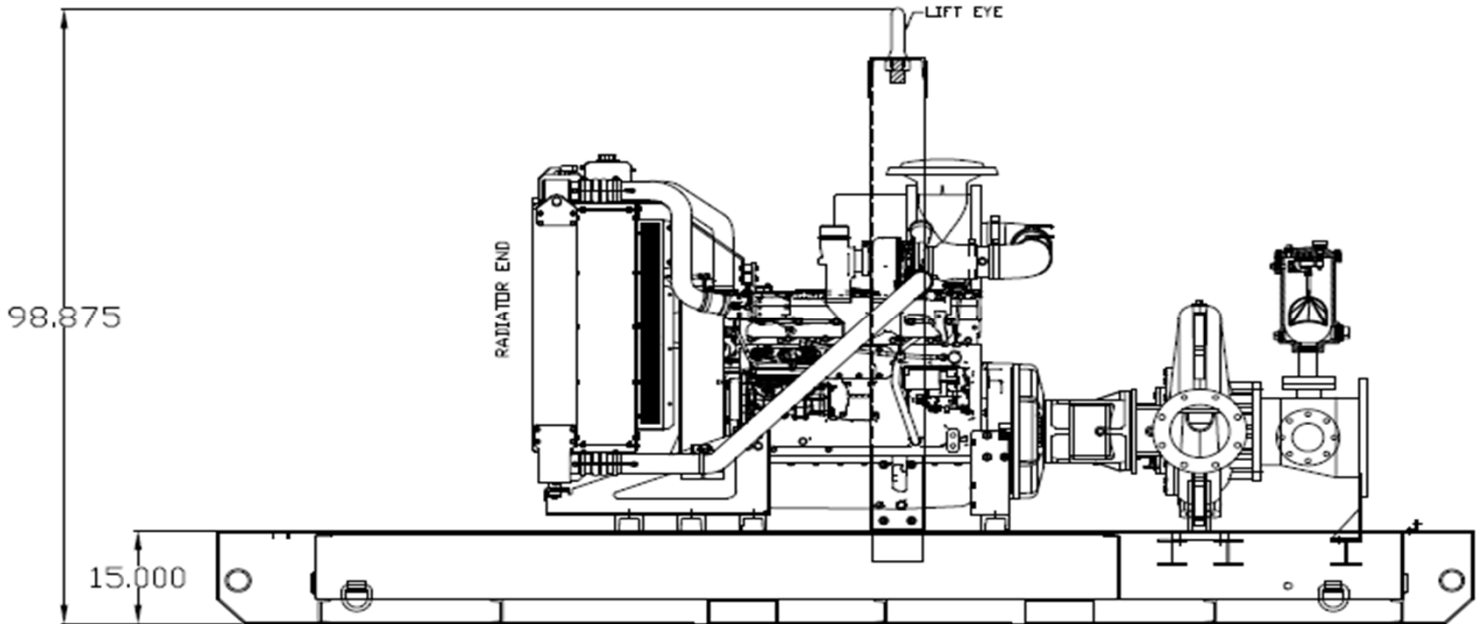
PRODUCT DATA SHEET

12/11/2012

BP128HS-CD300PS

BakerPrime 12x8 High Pressure Solids Handling Unit (Platform, Skid)

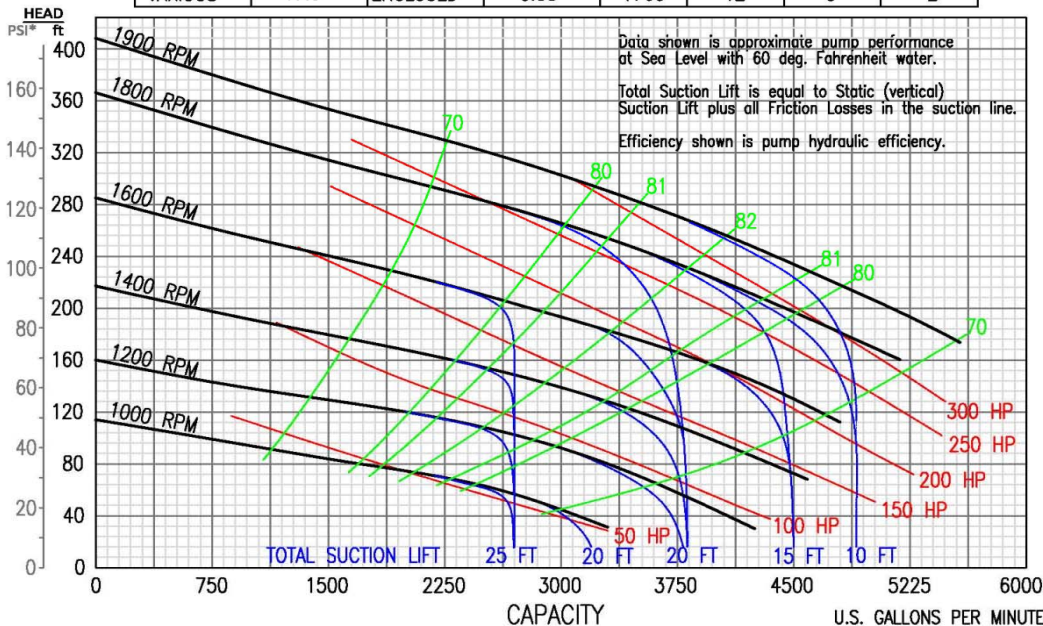
PHYSICAL SPECIFICATIONS



PERFORMANCE CURVE

BP128HS-CD300AS

Speed	Impeller Dia.	Style	Solids Dia.	N _S	Suction	Discharge	No. vanes
VARIOUS	17.5"	ENCLOSED	3.38"	1760	12"	8"	2



Performances shown are for cool water, frame mounted configuration with Cyclo Seal.® Other liquids or mounting configurations may require performance adjustments.

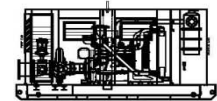
Add 1.5 HP for belt driven diaphragm vacuum pump. Performance curve does not include discharge check valve losses.

Pump

MAKE: BAKERPRIME
MODEL: BP128HS
CURVE No: BP128HS-1
SUCTION: 12 INCH
DISCHARGE: 8 INCH
MAX SOLID: 3.38 INCH
IMP. DIA: 17.5 INCH
MAX SPEED: 1900 RPM
MIN SPEED: 1000 RPM

Engine

MAKE: John Deere
MODEL: 6090H
RATING: 300 HP @ 2200 RPM



SIDE VIEW



TOP VIEW