

**PRODUCT DATA SHEET**

April, 2007

**3" 304 S.S. DUPLEX BAG FILTER SYSTEM**

**GENERAL INFORMATION**

Two independent filter housings are skid-mounted and manifolded such that one filter unit is active while the other is out of service. Both filters can also be in service at the same time. Inlet and outlet connections are provided on each end of the skid. These units can be used for filtering a wide range of industrial and commercial process fluids, groundwater discharge from construction sites, stormwater or urban runoff.

**WEIGHTS AND MEASURES**

» Capacity*:	Single Filter: 100 gpm Both Filters in parallel: 200 gpm
» Design Press:	150 psi
» Design Temp:	200°F max.
» Height:	5'-1" (overall)
» Width :	4'-0"
» Depth:	3'-8"
» Weight:	800 lbs.

\*Capacity (flowrate) depends on factors such as liquid viscosity, micron value of the filter media, solids loading etc. Assuming water as the filtrate and factoring in pressure drop only, 200 gpm is a practical upper limit for a size #2 bag with a 10 micron rating. Clean pressure drop would be 2-3 psi. Lowering the micron rating increases the pressure drop. The minimum pressure drop for this unit at higher micron ratings is 1-2 psi. Filter bags should be changed out at 15-18 psid, or earlier if the process requires it.

**SKID DESIGN**

» Skid:	2"x2" and 2"x4" c.s. structural tubing
» Vessel Mount:	Legs are attached to cross supports on skid
» Forklift Pockets:	Through front and rear framing channels (Each pocket is 21" wide)

**FILTER DESIGN**

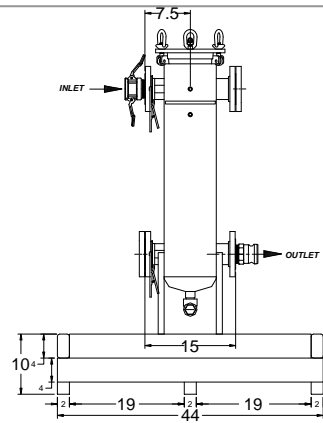
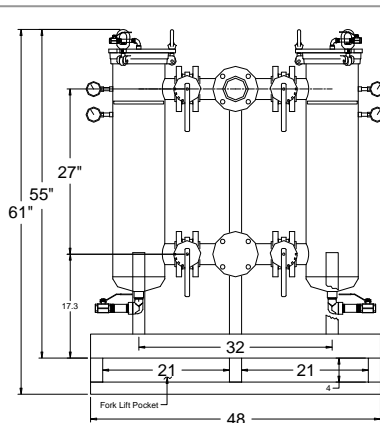
» Filter Housing	.....	Krystil Klear model L88303FA41523F4DF (8" dia. X 36" long)
» Top Cover:	.....	Three eye nuts; hinged for easy access
» Piping:	.....	3" schedule 40 304 S.S. (SA-312-304)
» Inlet & Outlet:	.....	3" Male Cam Lock
» Cover Seal:	.....	Buna N (Nitrile) o-ring
» Housing Material:	.....	304 S.S. (SA-312-304)
» Filter Basket:	.....	30" deep, 6.7" diameter, 4.4 sq. ft. surface area, 1000 cu. in. volume, 9/64" dia holes (51% open)
» Filter Media:	.....	Filter bags, size #2. Wide range of micron ratings is available, down to 1.0.
» Vent Valves:	.....	1/4" ball valve on top cover
» Drain Valves:	.....	1" threaded ball valve on the bottom of each housing

**SURFACE DETAILS**

» Exterior Coating:	.....	High gloss polyurethane on the skid only
---------------------	-------	--

**TESTS / CERTIFICATIONS**

» Test Performed:	.....	OEM Hydrotested @ 195 psi. Scheduled QMS inspections after purchase by BakerCorp.
-------------------	-------	---



To the best of our knowledge the technical data contained herein are true and accurate at the date of issuance and are subject to change without prior notice. No guarantee of accuracy is given or implied because variations can and do exist. NO WARRANTY OR GUARANTEE OF ANY KIND IS MADE BY BAKERCORP, EITHER EXPRESSED OR IMPLIED.