

**PRODUCT DATA SHEET**

March, 2008

**12" CARBON STEEL  
23-BAG FILTER SYSTEM**

**GENERAL INFORMATION**

Single vessel mounted on a forkliftable skid. Housing is not ASME code stamped. Different filter elements are available depending on job requirements and should be specified by the customer prior to use.

**WEIGHTS AND MEASURES**

» Capacity*:	2300 – 3500 gpm (@ 1 micron and up)
» Design Press:	150 psig
» Design Temp:	225°F max. (gasket dependent)
» Height:	8'-6" (overall)
» Width:	6'-11"
» Depth:	4'-10"
» Weight:	1125 lbs. (approx.)

\*Capacity (flowrate) depends on factors such as liquid viscosity, micron value of the filter media, solids loading etc. Assuming water as a filtrate and factoring in pressure drop only, 3500 gpm is a practical upper limit for a size #2 bag with a 100 micron rating; 2300 gpm with 1-micron rated bags. Clean pressure drop would be 2-3 psi. Lowering the micron rating increases the pressure drop. The minimum pressure drop for this unit at higher micron ratings is 1-2 psi. Filter bags should be changed out at 15-18 psid, or earlier if the process requires it.

**SKID DESIGN**

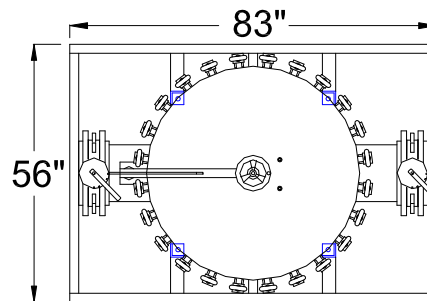
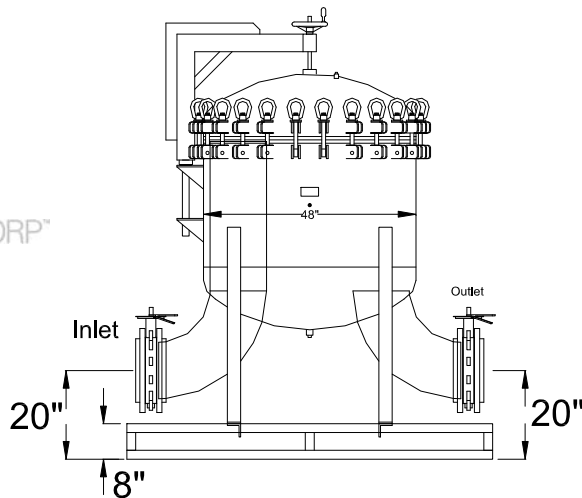
» Skid:	2"x2" and 2"x4" A36 c.s. structural tubing
» Vessel Leg Supports:	3x3x.375 angle, SA-36
» Forklift Pockets:	Through front and rear framing channels (Each pocket is 38" wide)

**FILTER DESIGN**

» Assembly Number:	Krystil Klear L48483012FAC1523
» Top Head:	(24) closure bolts and nuts with davit lift assembly. 48" O.D., 0.375" thk, SA-516 Gr. 70 carbon steel
» Shell:	48" O.D., 0.375" thick x 28" L. R & T, SA-516 Gr. 70 carbon steel
» Inlet & Outlet:	12" 150# RFSSO flanges, SA-105 c.s.
» Bag Elements:	23 required: size #2, 7-1/16" snap ring & 30" length required; Available fibers range from 1 to 1500 microns.
» Lid Seal:	Buna N O-ring
» In/Out Valves:	12" 150" butterfly with Buna seat
» Internal Hardware:	SA-516 Gr. 70 tube sheet

**TESTS / CERTIFICATIONS**

» Test Performed:	OEM Hydrotested @ 195 psi. Scheduled QMS inspections after purchase by BakerCorp.
-------------------	---



To the best of our knowledge the technical data contained herein are true and accurate at the date of issuance and are subject to change without prior notice. No guarantee of accuracy is given or implied because variations can and do exist. NO WARRANTY OR GUARANTEE OF ANY KIND IS MADE BY BAKERCORP, EITHER EXPRESSED OR IMPLIED.